

OKANOGAN COUNTY ELECTRIC COOPERATIVE

ELECTRICAL SERVICE HANDBOOK



93 WEST CHEWUCH ROAD
P.O. BOX 69
WINTHROP WA 98862-0069

PH: (509) 996-2228

FAX: (509) 996-2241

ocec.coop

REVISED MAR
2025



ELECTRICAL SERVICE HANDBOOK



OKANOGAN COUNTY ELECTRIC CO-OP

93 W Chewuch Rd	P.O. Box 69	Winthrop, WA 98862-0069
Phone: (509) 996-2228	Toll Free: (888) 710-2228	Fax: (509) 996-2241
Hours: Monday – Thursday		7:00 AM – 5:30 PM
		www.ocec.coop

CONTACTS

General Manager - Greg Mendonca	Mgr. of Finance & Admin- Tracy McCabe
Operations Manager - Glenn Huber	Propane Manager - Jesse Potvin
Operations Superintendent - Jesse Davis	Engineering Clerk - Katie Sigler
Staking Technician - Zack Gurney	
	Methow Fiber Manager - Adam Glenn

LOCATES

Utility Notification Center	811	digsafewa.com
-----------------------------	-----	--

ELECTRICAL INSPECTIONS

WA State Labor & Industries	(509) 886-6500
519 Grant Rd – East Wenatchee, WA	Lnl.wa.gov



ELECTRICAL SERVICE HANDBOOK

I. Contents

II.	Introduction.....	6
A.	Inspection and Code.....	6
B.	General.....	6
C.	Legal Access: Permits and Easements.....	7
D.	Engineering Design.....	7
E.	Line Extension Policy.....	8
F.	Temporary Service.....	8
III.	New Service.....	8
A.	Service Voltages for New Services.....	8
B.	Requests for New Service.....	8
IV.	Service Modifications.....	9
A.	Requests for Service Modification.....	10
V.	General Metering Requirements.....	10
A.	Meter and Service Entrance Specifications.....	11
B.	Meter Location Requirements.....	13
C.	Meter Socket Arrangement & Requirements.....	13
D.	Sequence of Service Entrance Equipment.....	14
E.	Clearances and Meter Height.....	14
F.	Meter Rooms.....	14
G.	Outdoor Metering Requirements.....	14
H.	Meter Socket Labeling.....	15
VI.	CT Metering Installations.....	16
A.	Indoor CT Metering (Commercial Only).....	16
B.	Switchboard Metering – Services over 801 amps.....	17
1.	Switchboard Metering – Services over 801 amps, cont.....	17
VII.	Protection of Electrical Equipment.....	17
A.	Member Generation.....	17
1.	Net Metering.....	17
B.	Quality of Power – Member Responsibilities.....	18
VIII.	Overhead Service.....	18



ELECTRICAL SERVICE HANDBOOK

A.	Attachment of Overhead Service Conductors	19
B.	Overhead Service Conductor Clearance	19
C.	Meter Pole Requirements	19
IX.	Underground Service.....	20
A.	Underground Service Equipment	20
B.	Underground Meter Post (Member Owned) Requirements.....	20
C.	Residential Services	21
D.	Service Conductors.....	21
E.	Underground Secondary Conductor Clearance.....	21
F.	Excavation.....	21
G.	OCEC Ditching and Conduit Specifications	21
X.	Specifications and Drawings.....	24
A.	OCEC Primary Connection Point.....	24
B.	Primary Overhead Right-Of-Way Specifications.....	25
C.	Minimum Overhead Clearances per NEC/NESC	26
D.	Intermediate Service Pole	27
E.	Minimum Clearance from pad-mount facilities	28
F.	Underground Ditch Specifications.....	29
G.	3Phase Padmount Transformer - Concrete Pad Specifications.....	31
H.	3Phase Padmount Facility - Concrete Vault Specifications	32
I.	Meter Socket Requirements.....	33
J.	Meter Location Guide.....	34
K.	Metering Clearance Requirements.....	35
L.	Multiple Meter Installations	36
M.	Typical Underground Temp Meter Post	36
N.	200 Amp Meter Base – No Disconnect - Drawing	38
O.	200 Amp Meter Base – Disconnect - Drawing.....	39
P.	400 Amp Meter Base – No Disconnect - Drawing	40
Q.	400 Amp Meter Base - Disconnect – Drawing.....	41
R.	Overhead Recreational Vehicle Service.....	42
S.	Underground Recreational Vehicle Service.....	43



ELECTRICAL SERVICE HANDBOOK

T.	Acceptable disconnect locations	44
U.	Overhead Residential Installation	45
V.	Gable End Mount – Under Eave	46
XI.	Fiber.....	47
A.	Underground	47
B.	Overhead	47
C.	Underground Drawing.....	48





ELECTRICAL SERVICE HANDBOOK

II. Introduction

The information in this booklet is intended to provide electrical contractors, architects, building contractors, engineers and cooperative members with Okanogon County Electric Co-op requirements for residential, commercial and irrigation service installations and broadband fiber. The booklet provides most of the information and requirements. It cannot, and is not intended to, cover every specific situation or eventuality. The Cooperative employees are therefore authorized to make policy adjustments to accommodate those unique situations as they arise. All conflicts between this handbook and Okanogon County Electric Cooperative's policies shall comply with the most current policies approved by the OCEC Board of Directors. Revisions are subject to change without notice. Please review OCEC New Service [Policy 30-211](#) and Line Extension [Policy 30-410](#) as necessary.

The time required to design, schedule, and construct the work will vary depending upon the complexity of the job. The OCEC Engineering department will communicate with you regarding current scheduling information.

When submitting your [Request for Service](#) or [Feasibility Site Analysis](#) it is important to provide OCEC's Engineering department with all the information requested on the form and follow the associated [checklist](#). When easements, permits, licenses, franchises or other rights are required for the Cooperative to place its equipment on or over property, they must be obtained before construction can begin or the service is energized.

A. Inspection and Code

It is the member's responsibility to ensure compliance with OCEC Policy and Specifications, the National Electric Code (NEC), Washington Administrative Code (WAC), and any Federal, State or local codes and ordinances that apply to the project.

The member, if not knowledgeable in electrical work, should consider using a licensed electrical contractor to install the electrical equipment.

Inspections: Before we energize your temporary or permanent service the service will need to be inspected and approved by Washington State Labor & Industries Electrical Division. L&I can be reached by calling the regional office at (509) 886-6500, visiting them at 519 Grant Road in East Wenatchee, WA, or online at lni.wa.gov. Check with them for permitting, inspection requirements and fees.

B. General

All equipment that the Cooperative installs will remain property of the Cooperative. The member or property owner shall grant OCEC permission to enter and exit their property in order to install and maintain OCEC facilities.

The Cooperative's agents and employees shall have access during normal business hours for the purpose of, but not limited to, installation of facilities, right-of-way clearing, meter reading, inspecting, repairing and removing the Cooperatives facilities. In addition, the Cooperative's agents and employees shall always have access for emergencies.



ELECTRICAL SERVICE HANDBOOK

C. Legal Access: Permits and Easements

The member, **at the member's expense and to the satisfaction of the Cooperative**, will secure all necessary rights of way, easements and permits before the Cooperative will begin construction. In the event there is any challenge to the Cooperative's right to install facilities on land owned by others, it shall be the obligation of the applicant to resolve such challenge to the Cooperative's satisfaction before the Cooperative shall have any obligation to make or complete the line extension.

The member shall provide for line clearing of the [right-of-way](#) to OCEC standards.

Licenses for Right-Of-Way / Public Agency Permits

OCEC will obtain the required licenses/permits from public agencies or entities. It shall be the responsibility of the member to coordinate any professional land survey(s), if required, for these permits.

The member shall pay for any and all licenses/permits, including but not limited to, Washington State Department of Transportation, Okanogan County Public Works, United States Forest Service, and other license/permits as may be required along with any required professional surveys.

D. Engineering Design

OCEC's Engineering Department will schedule a site visit with the applicant or their representative to review the request and begin the design process. OCEC will then develop a design to meet the member's needs and that of the Cooperative and provide a cost estimate following the guidelines below.

- 1) The Cooperative will determine the length, depth, point of delivery, location, phases, primary voltage, capacity and cost of the line extension. The line extension shall be compatible with the present electrical distribution facilities.
- 2) The line extension design shall be designed and constructed in accordance with OCEC's minimum standards.
- 3) Members must provide the Cooperative with final property specifications as required and approved by the appropriate government authorities. These specifications may include, but are not limited to, recorded plat maps, utility easements, final construction grades and installed property corner pins.
- 4) The member is responsible for any unusual conditions including but not limited to, frost, weather events, rock, landscape replacement, boring charges and equipment.
- 5) The member will be responsible for any changes in the Work that result in additional costs to the Cooperative during the Engineering and Mapping process.



ELECTRICAL SERVICE HANDBOOK

E. Line Extension Policy

Okanogan County Electric Co-op's Board sets the costs and rules for extending service to new members and modifying the existing system to meet member's needs through [Policy 30-410](#). The objective of this policy includes:

- To treat all applicants for electric service in a fair and uniform manner.
- To assure the costs of providing new service are fair and equitable for the Cooperative and all members.

F. Temporary Service

For temporary services, OCEC will connect and install an electric meter only after inspection and approval by the state electrical inspector.

III. New Service

A. Service Voltages for New Services

For single-phase installations, 120/240-volt service is available. This is the typical three-wire service used for residences. 120 volt, 2-wire service is not available.

For three-phase installations, 120/240-, 120/208-, 240/480-, and 277/480-volt services are available. These are the typical four-wire services used in commercial building and irrigation.

B. Requests for New Service

A member can apply for either a temporary or permanent service. A temporary service consists of an installation that is intended to be removed within 1 year. A permanent service is installed without a planned removal date.

All requests for a new service start by filling out a [Request for Service](#) and paying the appropriate design and mapping fee of **\$200.00**, or a [Feasibility Site Analysis](#) that does not include a site visit for **\$100.00**. A Request for Service can be initiated after a Feasibility for an additional fee of **\$100.00**. Once these are received by our office, a representative of the Cooperative Engineering department will be scheduled to meet with the member or their representative at the proposed job site in order to design and create a cost estimate. The member will be responsible for any changes in the Work that result in additional costs to the Cooperative during the Engineering and Mapping process.

The cost estimate for a new service will include all utility costs associated with the installation of the electrical equipment. An estimate for a temporary service will also include the cost to remove the electrical equipment. These costs must be paid prior to construction. An adjustment will be made when the work is complete and actual costs have been determined. If after 1 year the job does not have a scheduled start date the design fee is forfeited.

All costs quoted are good for 30 days from the date of the cost estimate.



ELECTRICAL SERVICE HANDBOOK

New Service Checklist

- 1) Member/Representative: Initiate a Cost Estimate by submitting our [Request For Service](#) form along with the appropriate **\$200.00** fee and your site plan, or submitting a [Feasibility Site Analysis](#) with a **\$100.00** fee which does not include a site visit. If the member wants to then move ahead to a Request for Service after the Feasibility estimate, they can fill out the Request for Service form and submit the additional **\$100.00** fee.
- 2) OCEC: will contact you within 5 business days to schedule a site visit.
- 3) OCEC: generate a Cost Estimate within 3 weeks of the site visit, provided no additional changes are discussed.
- 4) Member/Representative: Pay all applicable fees per the Cost Estimate and set up a billing account with the Cooperative.
- 5) Member/Representative: If applicable, obtain required Easement(s) as determined at the sole discretion of the Cooperative.
- 6) OCEC: if applicable, obtain appropriate permits and/or Franchise Agreements (i.e. WaDOT, Forest Service).
- 7) Member/Representative: Obtain an Electrical Permit from Washington State Labor & Industries.
- 8) Member/Representative: Prepare site and install all applicable materials per OCEC design standards (see applicable equipment requirements in [Section X – Specifications and Drawings](#)).
 - a) **Ensure that any existing utilities in the proposed dig area have been located by calling 811 or www.digsafewa.com at least 2 business days prior to digging.**
 - b) Any wiring performed without first checking with the Cooperative is done so at the risk of having to change either the service entrance equipment or location of same or both.
- 9) Member/Representative: Clear all Right-Of-Way as per Cooperative standards and provide appropriate access to jobsite.
- 10) Member/Representative: Contact L&I and schedule an inspection (see item #7). When Service Approval is received, notify OCEC. We are **NOT** notified directly by L&I.
- 11) OCEC: complete final inspection of job site and schedule work once approved. Notify member/Representative of schedule date.

IV. Service Modifications

A. Requests for Service Modification

Service modifications of existing OCEC facilities include, but are not limited to, changes because of new electrical load, relocating, wrong information on the original service application, changing or adding to Cooperative property. The cooperative must be notified in advance if a member intends to perform a service modification. If an upgrade to OCEC facilities is necessary to support the proposed modification, line extension fees and system access charges will apply and are the responsibility of the member. In the event that a member fails to notify OCEC, and as a result OCEC equipment is damaged, the member will be liable for the cost of such damage.



ELECTRICAL SERVICE HANDBOOK

Service Modification Checklist

- 1) Member/Representative: Initiate a Cost Estimate by submitting our [Request For Service](#) form along with the appropriate fee and your site plan.
- 2) OCEC: will contact you within 5 business days to schedule a site visit.
- 3) OCEC: generate a Cost Estimate within 3 weeks of the site visit, provided no additional changes are discussed.
- 4) Member/Representative: Pay all applicable fees per the Cost Estimate.
- 5) Member/Representative: Obtain an Electrical Permit from Washington State Labor and Industries.
- 6) Member/Representative: Prepare site and install/upgrade all applicable materials per OCEC design standards (see applicable equipment requirements in [Section X – Specifications and Drawings](#)).
 - a) All upgrading, rewiring or conversion shall be in compliance with the state electrical regulations and requirements, in addition to the Cooperative's policies and procedures in effect at the time of the upgrade, rewire or conversion.
 - b) Any wiring performed without first checking with the Cooperative is done so at the risk of having to change either the service entrance equipment or location of same or both.
- 7) Member/Representative: Contact L&I and schedule an inspection (see item #5). When Service Approval is received, notify OCEC. We are **NOT** notified directly by L&I.
 - a) If work was not performed by a licensed electrician and an L&I permit obtained, service will not be reconnected and/or energized until approved by the state inspector and work performed is acceptable to the Cooperative.
- 8) OCEC: complete final inspection of the job site and schedule work. Notify member/representative of schedule date.

Please note that our schedule can be affected by unplanned outages, weather and other unforeseen circumstances.

V. General Metering Requirements

Only authorized and qualified OCEC personnel may remove and install meters. With some types of meter sockets, removal of the meter does not de-energize the member's system.

Meter tampering is dangerous and against the law. You could face criminal charges and penalties. Meter altering, removing, meter seal removal or other unauthorized diversion of electricity shall be considered meter tampering as per Cooperative [Policy 30-310](#).



ELECTRICAL SERVICE HANDBOOK

A. Meter and Service Entrance Specifications

Single Family Dwelling – services sized 400 amp and below

MEMBER RESPONSIBILITIES

Items owned and installed by Member:

- **Service 0-400-amp wall mount meter base (underground/overhead):**
- Conduit extending a minimum of 36” below finished grade (underground).
- Service entrance conductors extending 24” out of the weather head with neutral marked (overhead).

Meter Location:

- Must be installed 5’ to 6’ from the finished grade to the center of the meter socket.
- Meter base and conduit must be placed on the outside wall, not enclosed in the wall. Flush mount meter bases are not allowed.
- The preferred meter base location is on the transformer side of the house/building.
- Meters must not be installed under any type of overhang, porch, roof, deck or similar enclosure that will limit access to the meter.
 - If installed under any overhang or similar enclosure, meters must be protected from ice or snow sliding off roofs by extending eaves, a gutter or other means.
 - Removal of the meter base face (cover) shall not be hindered and must be accessible without tools.
- Shrubbery and landscaping must be kept clear from the meter location.
- Meter must be protected from physical damage.

See the [Meter Location Guide drawing](#) for more detailed information.

Meter Mounting:

- Meter base must be readily accessible, free from vibration, corrosive atmosphere and abnormal temperatures. If, in the opinion of OCEC, a meter is made inaccessible for any reason, the member must, at their expense, move the meter socket to an accessible location.
- Meter base must be plumb and level and securely mounted to a rigid surface. All conductors must be securely fastened and must not interfere with the meter.
- Meter base must be installed, approved by Washington L&I Electrical Division, and have service wires connected before OCEC will energize the service.



ELECTRICAL SERVICE HANDBOOK

Other Meter Requirements:

- Not more than one service of like voltage will be provided to any single building or structure unless otherwise granted special permission from OCEC and Washington State Department of Labor and Industries.
- All temporary power supplied by OCEC to member/representative must be metered. The name(s) of the person(s) responsible for the billing must be included in the application for service.
- All new temporary and permanent meter base installations require a passing inspection by a State Electrical Inspector prior to being energized.
- Contact the OCEC Engineering department for:
 - Temporary underground/overhead service requirements.
- All meter bases will be UL listed and have set screw lugs provided to accommodate the conductor size as specified by OCEC.
- Self-contained meter bases can be used for residential services up to and including 400 amps single phase. All single-phase residential services larger than 400 amps must have current transformer metering. Contact the OCEC Engineering department for more information.
- Any service in excess of 800 amps shall be by three-phase service which shall be balanced on both three-phase and single-phase loading. Contact the OCEC Engineering department for information about three-phase services.
- Single phase motor services will be allowed up to 10HP maximum.
- All backup generator installations must have a transfer switch installed in accordance with the requirements of the NEC.
- Any wiring installed without first contacting OCEC to determine the service entrance location is done at the risk of having to change the service location to conform to OCEC's requirements.

To view a diagram of our specifications, see [Section X - Specifications and Drawings](#), or visit our website at ocec.coop

OCEC RESPONSIBILITIES

Items Owned and installed by OCEC:

- Meter
- Transformer
- Primary Wire (before transformer)
- Secondary Wire (after transformer, before meter)



ELECTRICAL SERVICE HANDBOOK

B. Meter Location Requirements

- The Cooperative must approve all meter locations prior to installation (WAC 296-46-23001). The member shall furnish a location acceptable to the Cooperative - readily accessible without the risk of bodily harm to Cooperative employees, free from vibration, corrosive atmosphere, and abnormal temperatures - in which to install the metering equipment.
- Meters shall not be in carports, breezeways, porches, fenced in areas, or such locations where subsequent addition, rewiring or remodeling could enclose the meter.
- Meters shall not be enclosed by any paneling, or siding, etc. Meter and meter base must be exposed and readily accessible without tools. Contact the Engineering Department for specifics.
- A meter installed in an alley or driveway must be protected adequately to prevent damage from vehicular traffic.
 - In heavy snow areas, the meter must be protected from damage by snowplow, and snow and ice loading.
- Metering shall not be mounted on or in the Cooperative's pad-mount transformer, junction box, or primary pole.
- Meter must be at least 10' away from the Cooperatives pad-mount transformer or junction box, and at least 10' away from any overhead power lines.

To view a diagram see the [Meter Location Guide](#).

C. Meter Socket Arrangement & Requirements

- On multiple meter installations, each meter shall be labeled with a permanent placard.
- Socket forms or arrangements to provide correct metering for the various systems used in the Cooperative are illustrated in the [Meter Socket Requirements](#) table.
- Sockets must be mounted plumb and be security fastened to the structure.
- The Cooperative prohibits the use of meter sockets with automatic circuit closing devices.
- Terminals shall be marked with a conductor range for aluminum or copper conductors. When aluminum conductors are used, the socket must be approved and clearly marked by the manufacturer that it is acceptable for aluminum conductor.
- Taps are not allowed in meter sockets.
- The line supply conductors to a socket shall be connected to the top terminals and the load supply conductors shall be connected to the bottom terminals.
- The neutral service conductor shall be bonded to the meter base using the grounding screw or bonding terminal.
- The conduit shall enter the base from either the bottom right or left side. Conduit that enters in the center of the base will not be accepted.
- Meters must have 3" Knockouts, no swedges or reducing couplers.
Examples of 200 Amp Meter Main with 3" available knockout Milbank U5168, Square D CM200S and Eaton U204PSE



ELECTRICAL SERVICE HANDBOOK

D. Sequence of Service Entrance Equipment

The sequence of service equipment shall be meter-switch-fuse or meter-circuit breaker-load unless not allowed by Code. Prior Cooperative authorization is required.

E. Clearances and Meter Height

- A level standing and working surface shall be provided and maintained in front of each metering installation. A clear and unobstructed working space shall be provided above this surface.
- Should the metering installation be on a working platform then the platform must be accessible by a permanent stairway that conforms to OSHA/WISHA regulations.

See the [Metering Clearance Requirements](#) table for detailed clearance information.

F. Meter Rooms

Where a multiple installation is four (4) meters or more, the location may be on the inside lines of the structure, provided the location is a metering room accessible to the Cooperative.

- The number of metering rooms in apartment buildings shall not exceed one (1) without the Cooperative's approval.
- When a metering room is to be used, a floor plan shall be submitted to the Cooperative for approval prior to any wiring thereof.
- Meter rooms shall be properly illuminated with a switch located immediately next to the access door. The Cooperative has the right to refuse to enter inadequately illuminated or unsafe spaces.
- Meters shall not be installed in commercial buildings above the first level or below the first basement level with the Cooperative's approval.

G. Outdoor Metering Requirements

All meter equipment exposed to weather shall be rain-tight according to the National Electrical Manufacture's Association (NEMA) 3R minimum.

- Meter sockets containing energized equipment shall be covered and sealed with a transparent cover plate if a meter is not installed.
- Meters shall only be installed in sockets that are level, plumb and securely fastened to the structure.
- Installation of three (3) meters or less shall be on the outside lines of the building and shall be grouped in such a manner that a single service drop may serve all meters.
- All unused openings of the meter socket enclosure shall be closed with rain-tight plugs that are secured tightly in place from inside the enclosures before a meter is installed.



ELECTRICAL SERVICE HANDBOOK

H. Meter Socket Labeling

- Before a meter will be installed, the member must obtain a valid service address from the proper agency. When the meter is installed and sealed, it is designated in the Cooperative's official record as the meter serving that premise. Apartment unit or space numbers are considered part of the valid address.
- It is the responsibility of the owner or manager of multi-unit complexes to notify the Cooperative of any changes in numbering so that the Cooperatives' Meter Department may verify metering circuits. Such notice must be given in writing immediately to the Member Services and Engineering Departments to permit re-designation of meters serving the premise. The member shall be responsible for renumbering both the premises and meter sockets prior to dispatch of the Meter Department.
- Meters will not be installed, nor service energized, until marking is complete. Each meter position and service switch or breaker shall be clearly and permanently identified by the member to indicate the location supplied by it. The relation of the meter socket, breaker, and location served must be easy to identify. Clear identification means a legible apartment or street number. The store name or number may be included but does not constitute a clear designation in itself.

Examples of permanent marking are:

- An identification plate attached by screws, rivets, or a secure adhesive.
- Commercially available decals

Meter retaining rings will be provided and installed by the Cooperative.



ELECTRICAL SERVICE HANDBOOK

VI. CT Metering Installations

Any service meeting the following criteria shall be a CT'd service:

Single Phase 120/240 volts over 400 amps

Three-Phase service over 200 amps

- All current transformer installations shall be in acceptable enclosures (CT cans).
- All current transformer enclosures in residential services will be mounted on the outside of the building so that access to the enclosure is from outside the building only.
- The member must provide a 50,000-amp fault current rated "Landing Pad" for mounting of CT's.
- Meter base must be installed according to the configuration specified and installed within 20' of CT can. Contact the Cooperative for distances exceeding 20'.
- CT enclosures must be grouped with the meter socket or meter enclosure. A minimum of one (1) inch conduit is required to connect meter base to CT enclosure.
- The Cooperative will complete the terminal connections from the members' side of the CTs to the metering equipment.

A. Indoor CT Metering (Commercial Only)

- If a Current Transformer (CT) is installed on a balcony or platform, it must be accessible by a permanent stairway that conforms to OSHA/WISHA. A minimum of 3 feet of clearance in front of enclosure is required.
- Adequate lighting shall be permanently provided with a switch located immediately next to the access door. The Cooperative has the right to refuse to enter inadequately illuminated spaces.

B. Switchboard Metering – Services over 801 amps

The member shall consult the Cooperative and submit equipment drawings prior to the manufacture of the switchgear to determine the type of meter or meters that will be used, and arrangements for mounting.

When the member's factory-built switchgear is manufactured and installed, current transformers may be obtained by the member directly from the Cooperatives Meter Department in Winthrop. Current transformers shall remain the property of the cooperative.

On switchboards, the current transformers shall be installed in such a manner as to be readily accessible after all bussing is in place. Installation plans regarding size of cubicle and placement of equipment shall be approved by the Cooperative before switchboard manufacturing. Neutral connections for metering shall be readily accessible and sealable.

Working spaces in back of a freestanding switchboard shall not be less than thirty-six (36) inches from the panel to the rear wall with provisions for safe exit.

The cover of the current transformer enclosure on switchgear shall be free of meters or equipment; however, the meter connected to the current transformer may be mounted on the cover provided said cover is hinged, sealable and removable.



ELECTRICAL SERVICE HANDBOOK

1. Switchboard Metering – Services over 801 amps, cont.

- Current Transformers (CT’s) are furnished by the Cooperative and shall remain the property of the Cooperative.
- Transformer enclosures must contain only the line/load wires and transformers. The enclosure must not be used as a junction box for other wires or conduits.
- Enclosures shall not be mounted in or under floors or crawl spaces. See [Meter Clearance Requirements](#) table for further clearance requirements.
- Space requirements for meter socket and associated equipment shall be adequate for mounting, access and safe working of all equipment. All doors must be able to be completely removed or opened to 180 if hinged.
- Meters shall not be mounted on panels covering compartments which contain fuses, switches, or any other devices that will require servicing, changing, or adjusting, necessitating the breaking of seals on meter panels.

CT METERING CABINET SIZE REQUIREMENTS

REQUIRED CT’S	CABINET DIMENSIONS			
Service Size	Number of CT’s	Width	Height	Depth
Single Phase, 401 – 800 Amps*	2	36”	36”	12”
Three Phase, 200 – 800 amps	3	48”	48”	16”
801 amps +	Requires switchgear			

*Minimum size. Consult Engineering and/or Meter Department for more information.

- Three phase cabinet cover must be hinged.
- **The Meter Department personnel will make up all termination of metering points on all current transformer installations.**

VII. Protection of Electrical Equipment

- 1) The member shall provide protective equipment as required by the National Electric Code (NEC) or other applicable code(s).
- 2) For all three-phase motor installations the member is responsible for installing protection equipment against loss of phase conditions.

A. Member Generation

To ensure the safety of Cooperative personnel, and maintain the integrity of OCEC’s distribution system, all electrical generating facilities, including but not limited to: propane, fuel oil, biomass, wind or solar, connected to OCEC distribution system must be approved in advance and inspected by OCEC at the time of startup.

1. Net Metering

The member shall abide by RCW 80-60 and OCEC [Policy 30-420](#).



ELECTRICAL SERVICE HANDBOOK

B. Quality of Power – Member Responsibilities

The characteristics of the member's electrical equipment and devices must allow the Cooperative's distribution system to operate efficiently without undue interference to the Cooperative's service or to other members. Per OCEC [Policy 30-105](#), the member agrees to maintain an average total harmonic distortion (THD) level of the load current that is consistent with the IEEE 519 (1992) standard for distribution system customers. If the Cooperative determines that the member load is contributing to excess THD on the distribution system, the member will install the necessary filtering or compensation to maintain the THD at or below the level required by the Cooperative within thirty (30) days of the Cooperative's written request to the member. Failure to install the necessary preventative equipment will result in disconnection of the service.

The Cooperative reserves the right to inspect and test any equipment connected to its lines and to obtain any information necessary to determine the operational characteristics of the equipment.

VIII. Overhead Service

Depending on the on-site facilities, the member may have the option of constructing the new service either overhead or underground. This section covers requirements for residential, irrigation and commercial overhead service installations at secondary voltages less than 600 volts.

- 1) If overhead service length is 75' or more from the OCEC secondary connection point, or crosses a road, an OCEC installed service pole may be required to maintain clearances. The Cooperative Engineering department will determine if a service pole is necessary. Costs associated with OCEC installed service poles are the responsibility of the member. (See [Intermediate Service Pole](#) drawing.)
- 2) OCEC will furnish, install, and maintain the service pole, service conductors, connectors, service dead-end clamp, and meter.
- 3) The member must furnish, install, and maintain all required service entrance equipment, including wire, service mast, weatherhead, and attachment point.
- 4) The mast provided for attachment of the service conductors must be a minimum of 2" rigid steel galvanized conduit or intermediate metallic conduit (IMC) and provide a structurally sound attachment for the service conductors. Service masts must be guyed. (See [Overhead Residential](#) drawing).
- 5) For a duplex or larger building where only one strike to the building is permitted by state law but more than one weatherhead is desired, they must terminate within 18" of one another.
- 6) If the installation calls for an overhead electric temporary service, the service pole must be a continuous, single structure, 6" x 6" x 14', with 3' buried in the ground for overhead clearances where NO TRUCK TRAFFIC IS PRESENT and should be located within 50' of the transformer pole.
 - i) Overhead temporary meter poles must have two 2" x 4" braces securely fastened to the post with the service aligned between them.
 - ii) If the installation calls for an overhead electric temporary service across a trafficked area, then the pole SHALL BE a minimum of 8" x 8" x 24' with 5' buried in the ground.



ELECTRICAL SERVICE HANDBOOK

A. Attachment of Overhead Service Conductors

- 1) Service entrance conductors must extend at least 24" out of the weatherhead to permit connection to the service conductors.
- 2) The service mast should be located to facilitate only one attachment of the service conductors to the building.
- 3) Do not terminate service conductors on chimneys, vent pipes, gutters, or other nonstructural portions of the building. Suitable service attachment devices should be provided and installed during construction.

B. Overhead Service Conductor Clearance

- 1) Service Conductor clearance must meet NEC 230-24.
- 2) Before the service is installed, provide a path clear of the buildings, trees, or other obstructions between OCEC's pole and your point of attachment. (See [Right-Of-Way Clearing Guide](#)). Clearances from any obstruction – vertical or horizontal – must be in accordance with this section.
- 3) On permanent overhead services OCEC will need to attach service conductors a minimum of 12' and a maximum of 25' above **final grade**. The bottom of the drip loop must be a minimum of 12' above **final grade**. Only power service drop conductors are allowed to be attached to the electrical mast.

C. Meter Pole Requirements

- 1) OCEC no longer allows meter installation on OCEC poles. Existing pole mounted meters are permitted, however if service upgrades, maintenance, or pole replacements are needed, OCEC may require the meter be relocated or pole replaced with a meter post at members expense. (see pg. 20 for meter post requirements and pgs. 37-44 for meter post drawings)



ELECTRICAL SERVICE HANDBOOK

IX. Underground Service

Depending on the on-site facilities, the member may have the option of constructing the new service either overhead or underground. This section covers requirements for residential, irrigation and commercial underground service installations at secondary voltages less than 600 volts.

A. Underground Service Equipment

- 1) Underground service entrances to mobile homes must be mounted on a minimum of 6" x 6" by 10' pressure-treated wood post and be located within 30' of the manufactured home, as per NEC.
- 2) Service-side (after the meter) conduit size depends on the size and number of conductors in the conduit. Contact your electrician for proper conduit size. This is governed by the National Electric Code (NEC).
- 3) If the installation calls for an overhead electric temporary service, the service pole must be a continuous, single structure, 6" x 6" x 14', with 3' buried in the ground for overhead clearances where NO TRUCK TRAFFIC IS PRESENT and should be in close proximity to the transformer pole. Temporary service will be 50' or less.
 - i) If the installation calls for an overhead electric temporary service across a trafficked area, then the pole SHALL BE a minimum of 8" x 8" x 24' with 5' buried in the ground.

B. Underground Meter Post (Member Owned) Requirements

- 1) All meter posts shall be furnished by the member, will remain property of the member and shall be maintained by the member.
- 2) Meter posts shall be at minimum either:
 - i) 4" x 6" x 8' full treated timber with 36" burial depth.
 - ii) 4" x 13# steel I-beam, 7' long set in minimum 18" x 18" x 18" concrete foundation.
- 3) Meter must be at least 10' away from the Cooperatives pad mount transformer or junction box, and at least 10' away from any overhead power lines.
- 4) Meter must be within 150' (total length of wire) from the serving transformer.
- 5) If you require underground temporary service, the meter post must be a minimum of 4" x 4" x 8' pressure-treated wood post, with 3' securely buried in the ground. The temporary service shall be no closer than 10' from OCEC's transformer with the meter socket not facing the transformer. Trenching shall be furnished by the member.
- 6) If a meter post is determined inadequate by the Cooperative, and must be replaced, the member shall, at their expense, transfer all member owned service entrance equipment to the new post and upgrade to current standards.
 - i) Once transfer to updated member owned equipment is complete an L&I inspection must be obtained before service will be reconnected by the Cooperative.



ELECTRICAL SERVICE HANDBOOK

Residential Services

- 1) The member must furnish, install, and maintain all required service entrance equipment.
- 2) OCEC will furnish, own, and maintain the meter, secondary conductor and all necessary connections.

C. Service Conductors

- 1) Contact the OCEC Engineering department for acceptable conductor sizes.
- 2) Contact your electrician for the maximum number of conductors allowed per phase on three-phase services where you wire out for connection to OCEC facilities.
- 3) On an outside wall, service conductors may be installed in a minimum of Schedule 40 nonmetallic conduit, or equivalent.

D. Underground Secondary Conductor Clearance

All underground secondary conductors rated 600 volts must meet the following minimum requirements:

- 1) Ditch must have a minimum width of 18" to allow equal separation and safe working space between utilities.
- 2) Cover of 3' and maximum final grade depth of 5'.
- 3) If the electrical secondary conductor runs parallel to a primary conductor, water line, phone, television or other communication cable, there must be a minimum of 12" of separation.
- 4) When electrical secondary conductors cross over or under a primary conductor, water line, phone, television or other communication cable there must be a minimum of 12" of vertical separation.

E. Excavation

State law requires that all existing underground utilities be notified 48 hours in advance before excavation begins so buried facilities can be located and marked. Locate marks are only accurate to within 24" of the outside dimensions of both sides of an underground facility. Excavation within that 48" area needs to be done in a non-destructive manner, such as hand-digging or vacuuming. One call to **811** will notify existing underground utilities that are members of the "One Call" system.

F. OCEC Ditching and Conduit Specifications

MEMBER RESPONSIBILITIES

Member is expected to provide all ditching, conduit, and bedding sand. Ditch and conduit must be inspected and approved before backfilling to final grade. The first inspection is included in the design fee. If additional inspections are required, the expense will be added to the installation cost. OCEC will schedule our portion of the installation work once ditch and conduit are approved for backfill and the service is approved by L&I.

You are responsible for obtaining locates before digging. Use caution while ditching; digging into active utilities can cause injury or death. Call 811 two full business days prior to digging. **You are accountable for any damage done to existing utilities if a locate request was not made.**



ELECTRICAL SERVICE HANDBOOK

DITCH:

Final grade must be completed before ditching to required depth specifications, mounding over cable will not be allowed.

Ditch must be in straight lines or as designed by OCEC with the bottom smooth, level and free of obstructions, sharp objects or rocks larger than 1". Excavated loose material shall be placed at least 2' from the edge of ditch along non-access side (do not pile on side of ditch OCEC needs to access for installation). Each end and proposed facility site shall be made accessible to OCEC's Equipment.

Field stakes installed by OCEC can be removed while ditching. **These stakes must be replaced at the side of the ditch as close to the original location as possible. Failure to replace stakes can lead to improper equipment placement possibly causing delays and/or additional cost.**

Standard ditch width is 18" when installing electric only; contact OCEC for guidelines if using a trencher. When other utilities, such as gas, phone, fiber, and CATV, are installed a 30" width is required. This allows for separation between electric and other lines. Ditch must provide a 12" radial separation between electric and communications and 24" between electric and gas or water. A 12" vertical and 12" horizontal separation, or a 24" horizontal separation, can obtain this. (See [Underground Ditch Specifications](#) drawing.)

Depth for primary (before the transformer) is 36".

Depth for secondary (after the transformer, before the meter) is 36".

- Member is expected to excavate to within two (2') feet of primary connection points such as pad-mount transformers, junction boxes or a feed-thru, and ground sleeves; Check with OCEC for details.
 - For cut-in line situation stay two (2') feet away from located line. Check with OCEC for details.
- Excavate to within one (1') foot of an existing Primary pole. Consult with the OCEC Engineering department for:
 - site-specific authorization.
 - proper conduit location at the base of the pole.
- Member is expected to excavate up to secondary splice boxes.
- Backfill material shall be a maximum of 1" minus for a minimum of 6" above and below the conduit. The backfill material shall contain no sharp or foreign objects. Bedding sand would be the preferred material.
 - In rocky soil conditions, where bedding is required, the trench shall be an additional 6" deeper to allow placement of proper bedding under the conduit.
- Water needs to be removed by pumping or draining at all proposed facility locations.
- **OCEC crew will dig under all primary connection points.**

Minimum Depth for Fiber is 24".



ELECTRICAL SERVICE HANDBOOK

CONDUIT:

- Conduit shall be placed at a minimum depth of 36” measured from the top of the conduit to the final grade.
- Primary power conduit shall be 2” Schedule 40, gray electrical conduit.
- Each primary conductor shall have 1 run of conduit.
- For secondary conductor see table below.
- A conduit run (primary or secondary) shall contain no more than 270 degrees of total bend. This includes sweeps at the transformer and meter base.
- Conduit sweeps at OCEC facilities shall be provided and installed by OCEC using 24” radius sweeps.
- Conduit must be bonded together with cement that is compatible with the conduit.

Road crossing may require member to provide Gray 4” schedule 80 PVC electrical use conduit. Contact OCEC Engineering department for number of conduits, size, and specifications of conduit requirements.

Minimum Secondary conduit size:

SERVICE SIZE	SINGLE-PHASE	THREE-PHASE
<=200 AMPS	1 – 3”	1 – 3”
201 – 400	1 – 3”	2 – 3”
401 – 800	CONTACT ENGINEERING	CONTACT ENGINEERING
801 – 1200	N/A	CONTACT ENGINEERING

Ditch and conduit installation shall be inspected by the OCEC Engineering department prior to backfilling. **Call the Cooperative at (509) 996-2228 to schedule an inspection. Minimum of 24 hours’ notice is required.**

You will be billed for crew time and equipment use for the following:

- Incomplete ditch.
- Additional material used to complete your project.
- Lost time or other delays to OCEC crews caused by the member or member representative.

The member is responsible for providing bedding material, screened by a ¼” screen, at all proposed facility locations, i.e., primary dip pole, junction box, and transformer. Consult with the OCEC Engineering department to determine required quantity.

To view a diagram of our specifications see [Section X - Specifications and Drawings](#), or visit our website at oceccoop.org.

X. Specifications and Drawings

A. OCEC Primary Connection Point

PRIMARY POLE WITH OVERHEAD TRANSFORMER



PAD-MOUNTED TRANSFORMER



SINGLE-PHASE PEDESTAL

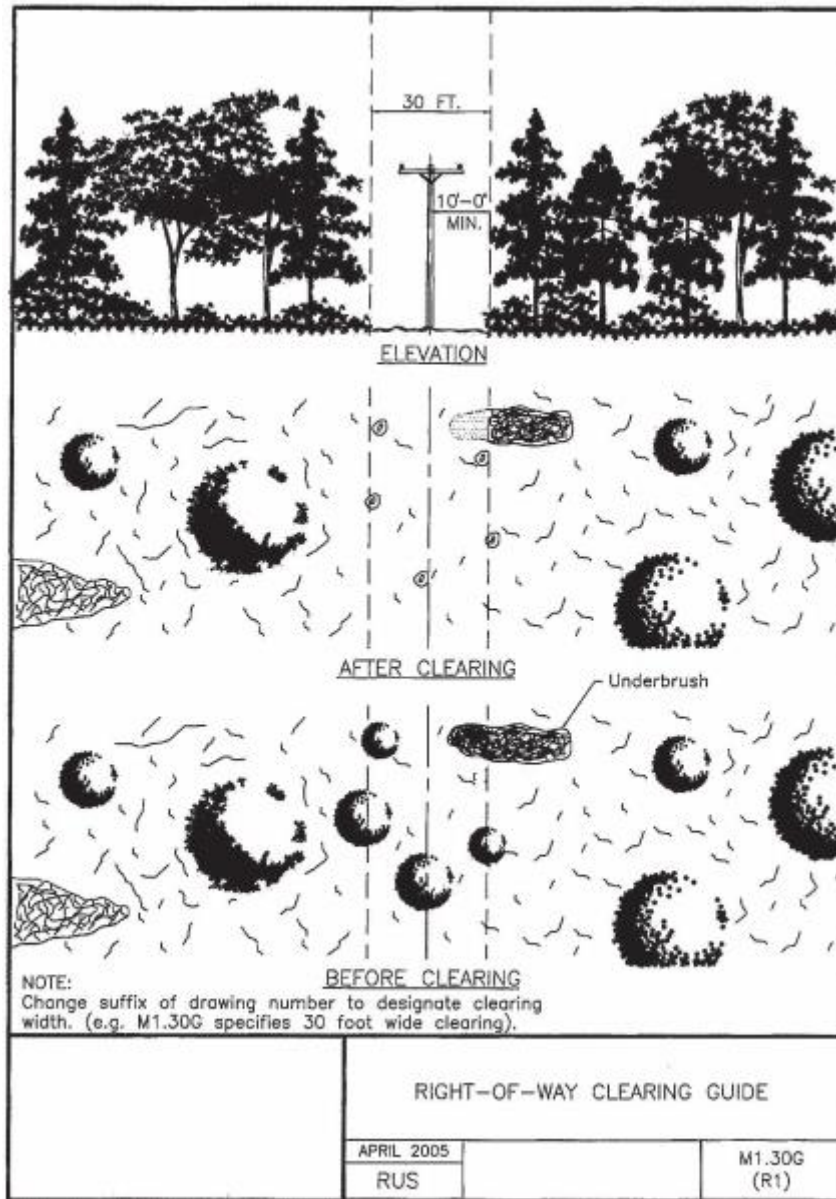




ELECTRICAL SERVICE HANDBOOK

B. Primary Overhead Right-Of-Way Specifications

15' either side of power line



On all new services, the member will be responsible to clear the initial right of way based on Okanogan County Electric Co-op's specifications. The OCEC Engineering department will be in contact with the member to discuss the required specifications and to show member what trees/brush need to be trimmed or removed. OCEC crews will do all clearing within the State and County right of way and the member will be invoiced for this service. Members will not be put on the construction schedule until the right of way has been cleared and approved by the Engineering department. After construction is complete OCEC will handle all future right of way clearing/trimming.

Please do not plant trees under - or near - the power lines.

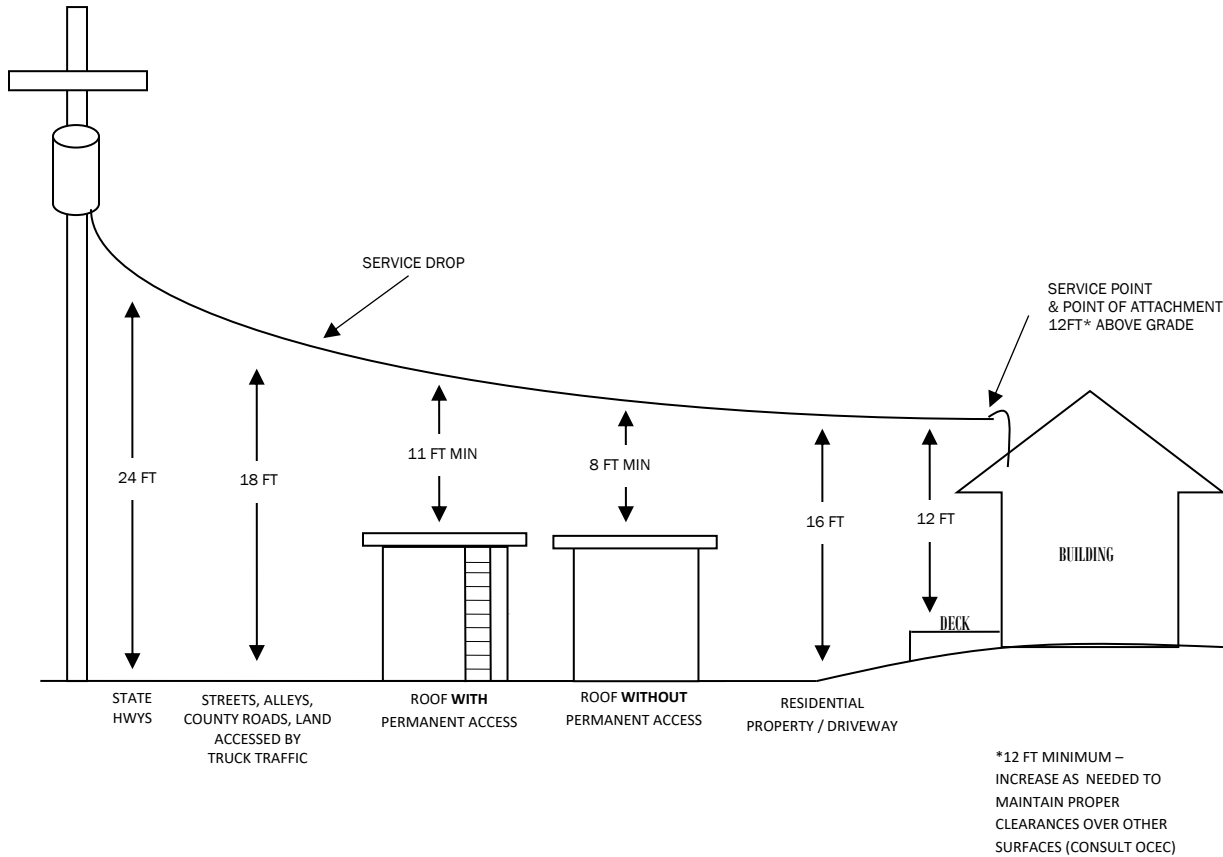
Please contact the OCEC Engineering department at (509) 996-2228 if you have questions.



ELECTRICAL SERVICE HANDBOOK

C. Minimum Overhead Clearances per NEC/NESC

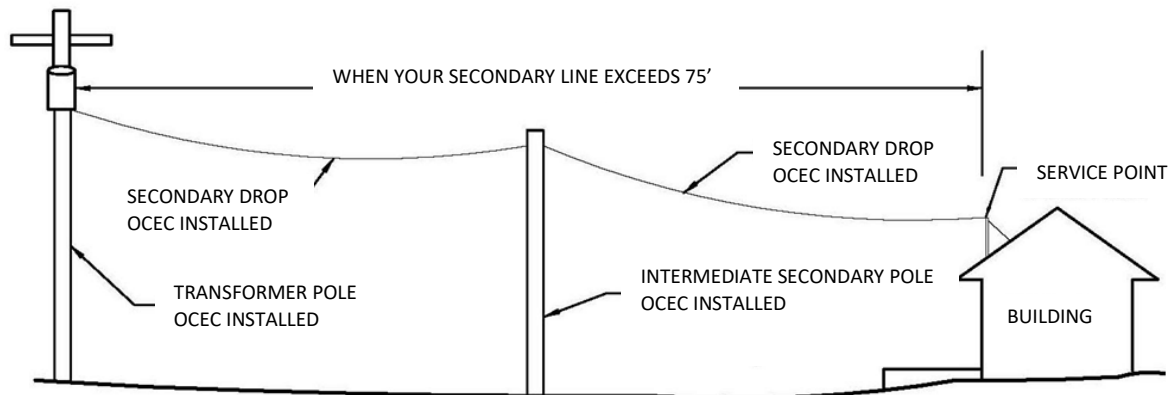
The member is not responsible to supply or install the overhead conductor (wire), but you are required to provide a point of attachment at your service point that will allow the Cooperative to meet the clearance requirements.





ELECTRICAL SERVICE HANDBOOK

D. Intermediate Service Pole

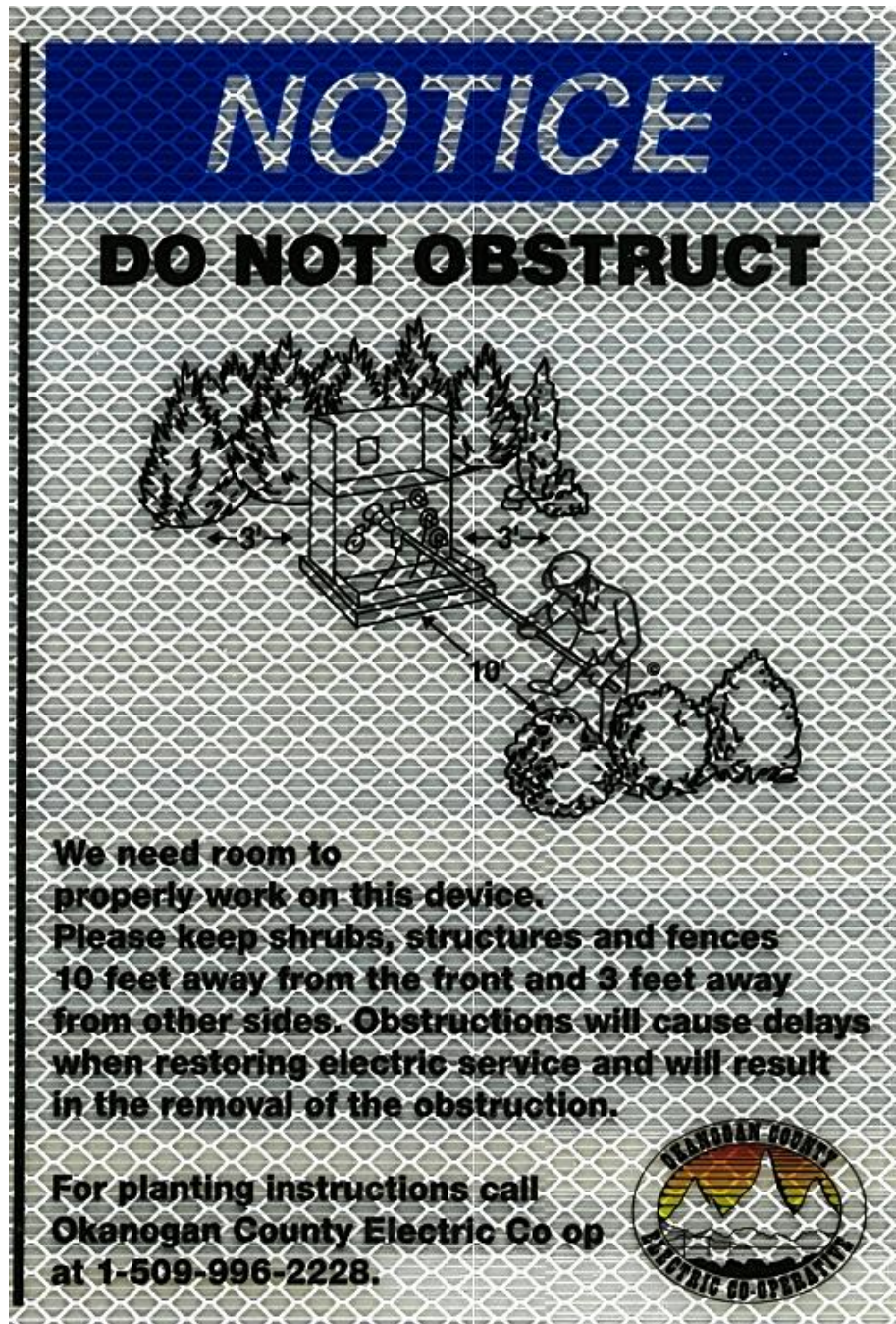


NOTES:

- 1) Service Conductor clearance must meet NEC 230-24.
- 2) Do not terminate service conductors on chimneys, vent pipes, gutters or other nonstructural portions of the building.



E. Minimum Clearance from pad-mount facilities




NOTICE

DO NOT OBSTRUCT

We need room to properly work on this device. Please keep shrubs, structures and fences 10 feet away from the front and 3 feet away from other sides. Obstructions will cause delays when restoring electric service and will result in the removal of the obstruction.

For planting instructions call Okanogan County Electric Co op at 1-509-996-2228.



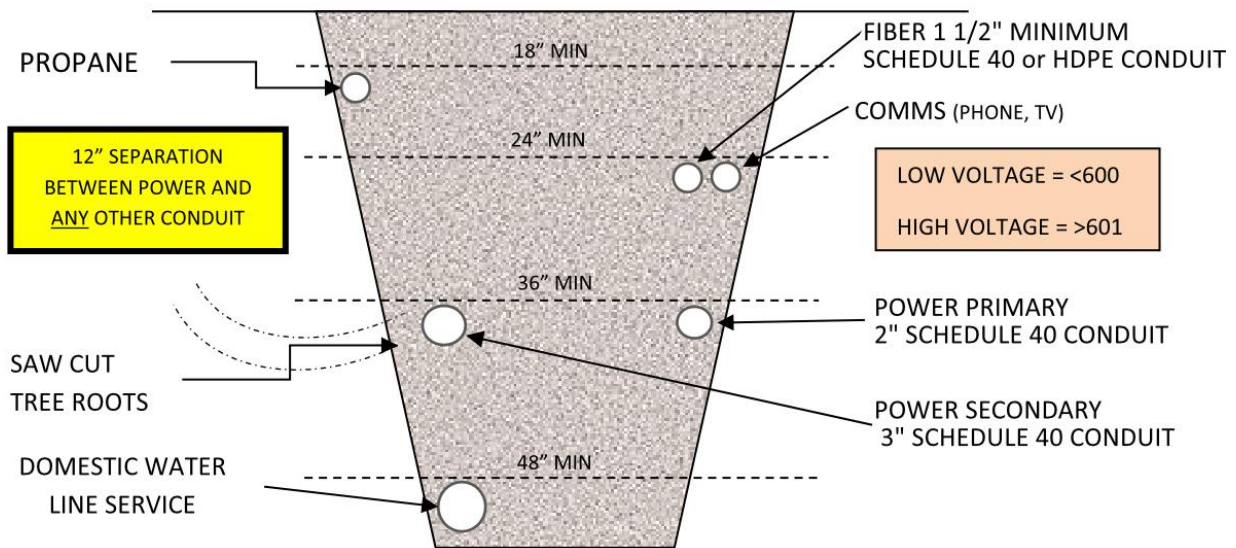
Please keep shrubs, structures & fences 10' away from front and 3' from back and sides from padmount equipment



ELECTRICAL SERVICE HANDBOOK

F. Underground Ditch Specifications

DO NOT BACKFILL DITCH UNTIL IT HAS BEEN INSPECTED
AND APPROVED BY APPROPRIATE AUTHORITY



NOTES:

- 1) Ditches containing primary electrical conduit shall have a minimum depth of 36" from final grade to the top of the conduit.
- 2) Ditches containing secondary electrical conduit shall have a minimum depth of 36" from final grade to the top of the conduit.
- 3) Ditch shall be as straight as possible between equipment locations. (1) 90 deg conduit sweep is required at the beginning of the run and (1) 90 deg sweep is required into the new equipment. This allows (1) possible 90 deg sweep between these two points. A gentle curve of the ditch and bending the duct in the ditch is the preferred method.
- 4) Ditch shall be as wide as necessary to contain all conduits (power, fiber, TV, telephone) at the required depth and maintain all required conduit spacing.

Water Lines	2' horizontal AND 6" vertical
Irrigation	12" horizontal OR vertical
Telephone, Fiber & Cable TV	12" horizontal
Gas	24" horizontal
Sewer	12" vertical at crossings/as per jurisdiction
Storm Drain	12" vertical at crossings/as per jurisdiction.

 - a) Ditch must provide a 12" radial separation between electric and communications.
 - b) Ditch must provide a 24" separation between electric and gas or water. This can be obtained by either a:
 - i) 12" vertical plus 12" horizontal separation
 - ii) 24" horizontal separation



ELECTRICAL SERVICE HANDBOOK

CALL 811 or www.digsafewa.com AND SUBMIT A LOCATE TICKET AT LEAST 2 BUSINESS DAYS BEFORE DIGGING TO ENSURE THAT EXISTING FACILITIES (POWER, PHONE, FIBER, ETC.) ARE LOCATED. THERE IS NO CHARGE TO YOU FOR THIS SERVICE. **HAND DIG** WITHIN 2' (TWO FEET) OF LOCATE MARKS. TREAT EXISTING FACILITIES AS LOCATE MARKS.

DITCH

- When electrical conduits/conductors cross over or under water, there shall be a minimum of 12" (twelve inches) of vertical separation.
- Bedding sand (sand, native rock-free material) shall be made available by the member for Okanogan County Electric Co-Op (OCEC) to use as backfill at all transformer, pedestal, and pole locations. Contact OCEC to determine necessary amount.
- Provide all ditching to the edge of the existing facility – transformer, pedestal, or pole. Hand dig when you are within 2' (two feet) and expose the base of the facility.
- Trenching for HIGH VOLTAGE and LOW VOLTAGE before the meter shall be inspected by an OCEC Engineer prior to backfilling. Minimum of 24 hours' notice is requested.
- Trenching for LOW VOLTAGE after the meter shall be inspected by the WA L&I Electrical Division prior to backfilling.

ELECTRICAL CONDUIT

- "Conduit" means listed, labeled, UL-approved electrical conduit, typically Schedule 40 or Schedule 80.
- Primary power conduit shall be 2" Schedule 40, gray electrical conduit. Each conductor shall have 1 run of conduit.
- Secondary power conduit shall be 3" Schedule 40, gray electrical conduit. Contact Engineering for quantity.
- A maximum of (3) 90-degree bends are allowed in the conduit run.
- All conduit sweeps shall be SCH 40 PVC – 36" maximum radius.
- Conduit must be bonded together with cement that is compatible with the conduit.
- Do Not use a Swedge (reducing coupler) at your meter base, make sure your meter base allows 3" knockouts for our secondary size conduit.

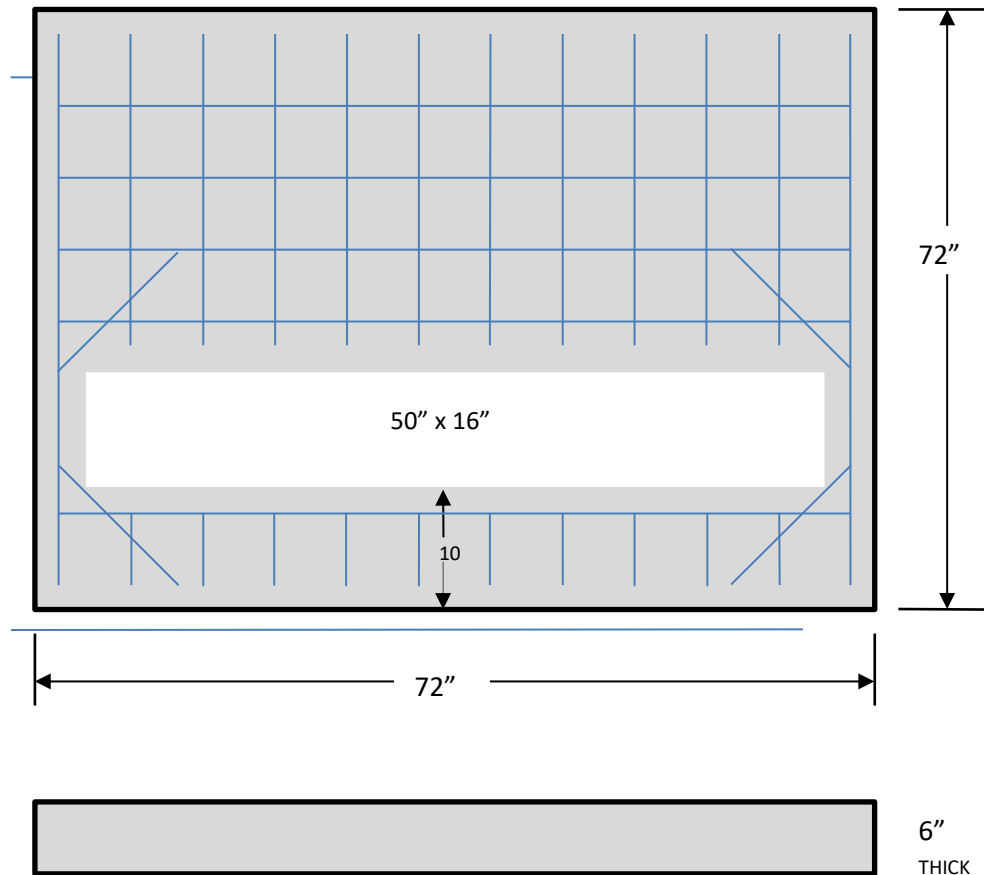
DO NOT ATTEMPT TO INSTALL CONDUIT AND/OR CONDUCTORS INTO ENERGIZED FACILITIES

FIBER CONDUIT

- Fiber conduit shall be minimum 1 ½" Schedule 40, **ORANGE** electrical conduit, UL-approved, PVC or High Density Polyethylene (HDPE). Conduit cannot be shared with phone or electrical.
- A maximum of (3) 90-degree bends are allowed in the conduit run.
- All conduit sweeps shall be **ORANGE** SCH 40 PVC – minimum 24" minimum radius.
- Conduit must be bonded together with cement that is compatible with the conduit.



G. 3Phase Padmount Transformer - Concrete Pad Specifications



NOTES:

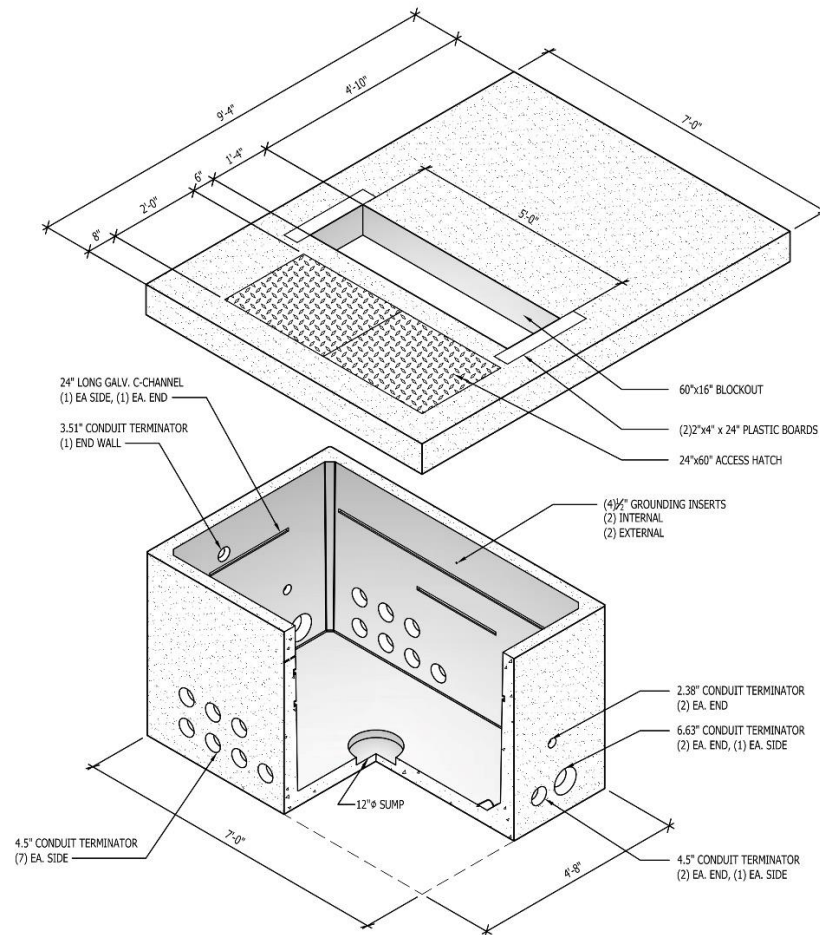
1. CONCRETE TESTING, 3000 POUNDS MIN. PER SQUARE INCH; 4% TO 6% ENTRAINED AIR, $\frac{3}{4}$ " MAXIMUM SIZE AGGREGATE.
2. REINFORCING STEEL, ATSM-A615 GRADE 60, PLACE APPROX. 6" O.C. EACH WAY AND SECURELY TIED TOGETHER. LENGTH AND QUANTITY TO BE DETERMINED BASED ON SIZE OF PAD.
3. MINIMUM CONCRETE COVER OVER REINFORCING STEEL 2 INCHES UNLESS NOTED.
4. WOOD FLOAT FINISH, LEAVING NO DEPRESSIONS.
5. PICKING EYES REQUIRED.



ELECTRICAL SERVICE HANDBOOK

H. 3Phase Padmount Facility - Concrete Vault Specifications

Please contact Engineering Department for current drawing.



NOTES:

- 1) OCEC is not responsible for the ordering or purchasing 3 Phase Padmount Vaults.
- 2) 112" x 84", 3 Phase Transformer PadVault with Access, Stock# 7992600
Local Vendors options but not limited to,
Old Castle Precast, Auburn, WA
H2 Pre-Cast, Wenatchee, WA



ELECTRICAL SERVICE HANDBOOK

I. Meter Socket Requirements

Voltage	Wires	Service Capacity Amps	# of Terminals	Meter Socket Config	Manual Block Bypass Acceptable?	Accessible Disconnect Required?	Socket
SINGLE-PHASE RESIDENTIAL							
120/240	3	<201	4	A	Yes	No	Self-Contained socket
120/240	3	201 – 320	4	A	Yes	No	Self-contained 320 Amp socket
120/240	3	>320	6	B	N/A	N/A	Instrument transformer rated with provisions for test switch
SINGLE-PHASE NON-RESIDENTIAL							
120/240	3	>320	6	B	N/A	N/A	Instrument transformer rated with provisions for test switch
120/208	3	<201	5	C	Yes	No	Self-contained socket
ALL THREE-PHASE							
120/208	4	<201	7	D	Yes	No	Self-contained socket
120/208	4	>201	13	E	N/A	N/A	Instrument transformer rated with provisions for test switch
120/240	4	<201	7	D	Yes	No	Self-contained socket (RESTRICTED APPLICATION) –High leg on right terminals
120/240	4	>200	13	E	N/A	N/A	Instrument transformer rated with provisions for test switch (RESTRICTED APPLICATION)
277-480	4	<201	7	D	Yes	Yes	Self-contained socket
277/480	4	>200	13	E	N/A	N/A	Instrument transformer rated with provisions for test switch

NOTES:

- 1) Three wire services taken from any 208/120-volt system require a #10 wire from the neutral grounded conductor that shall be connected to the fifth terminal.
- 2) Three phase four-wire services require the neutral tap to be connected to the terminal second from the right on the bottom or load side. In the case of four-wire delta services, the high voltage-to-ground phase conductor shall always be connected to the right-hand terminal, top and bottom, and be properly color coded.
- 3) The accessible disconnect shall be located after the meter.

J. Meter Location Guide

LOCATING THE METER

Per WAC 296-46-23001 the Utility must approve all meter locations prior to installation. The member shall furnish a location acceptable to the Cooperative - readily accessible without the risk of bodily harm to Cooperative employees, free from vibration, corrosive atmosphere, and abnormal temperatures.

This diagram is provided to assist in selecting an appropriate location for your meterbase.

SUPPORT REQUIREMENTS

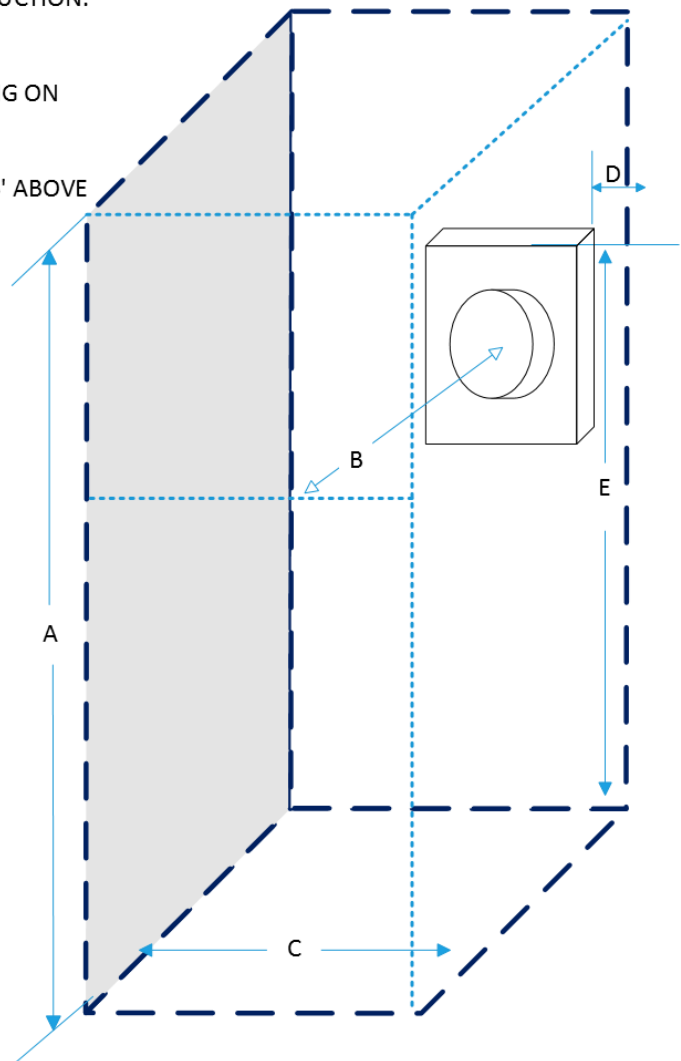
- * METERBASE SHALL BE ATTACHED WITH 4 SCREWS (MINIMUM #10, 1" IN LENGTH).
- * DRYWALL SCREWS ARE NOT ACCEPTABLE.
- * METERBASE SHALL BE ATTACHED TO PLYWOOD, SOLID STUD, BRICK, BLOCK, OR CONCRETE BACKING SUBJECT TO OCEC APPROVAL. ANCHORS MUST BE USED WHEN INSTALLING IN MASONRY OR CONCRETE.

MINIMUM CLEARANCE REQUIREMENTS

- A. 7' FROM FINISHED GRADE TO LOWEST OBSTRUCTION.
- B. 60" MEASURED FROM FACE OF METER.
- C. 36" WIDE UNOBSTRUCTED TRAVEL WAY.
- D. 2" ON BOTH SIDES OF METER TO ANY OPENING ON THE SAME PLANE INTO THE BUILDING OR SIDE OBSTRUCTION.
- E. TOP OF METERBASE SHALL BE INSTALLED AT 6' ABOVE FINISHED GRADE.

In addition, the meters base shall:

- * Be placed on an outside wall, not enclosed in the wall. Flush mount meter bases are not allowed.
- * Be on the transformer side of the property.
- * Not be on elevated platforms.
- * Not be mounted on a chimney.
- * Not be under decks lower than 7'.
- * Not be below a window accessible from the ground.
- * Not inside fenced areas with no gated access.
- * Not have less than 1' horizontal separation from gas.
- * Not be inside structures (except in approved meter rooms).
- * Not be less than 3' from the gas meter vent to the edge of the electric meter glass.
- * Not in any area where equipment inhibits safeaccess or obstructs working clearances.
- * Not in any area where a door may strike the meter / meterbase.



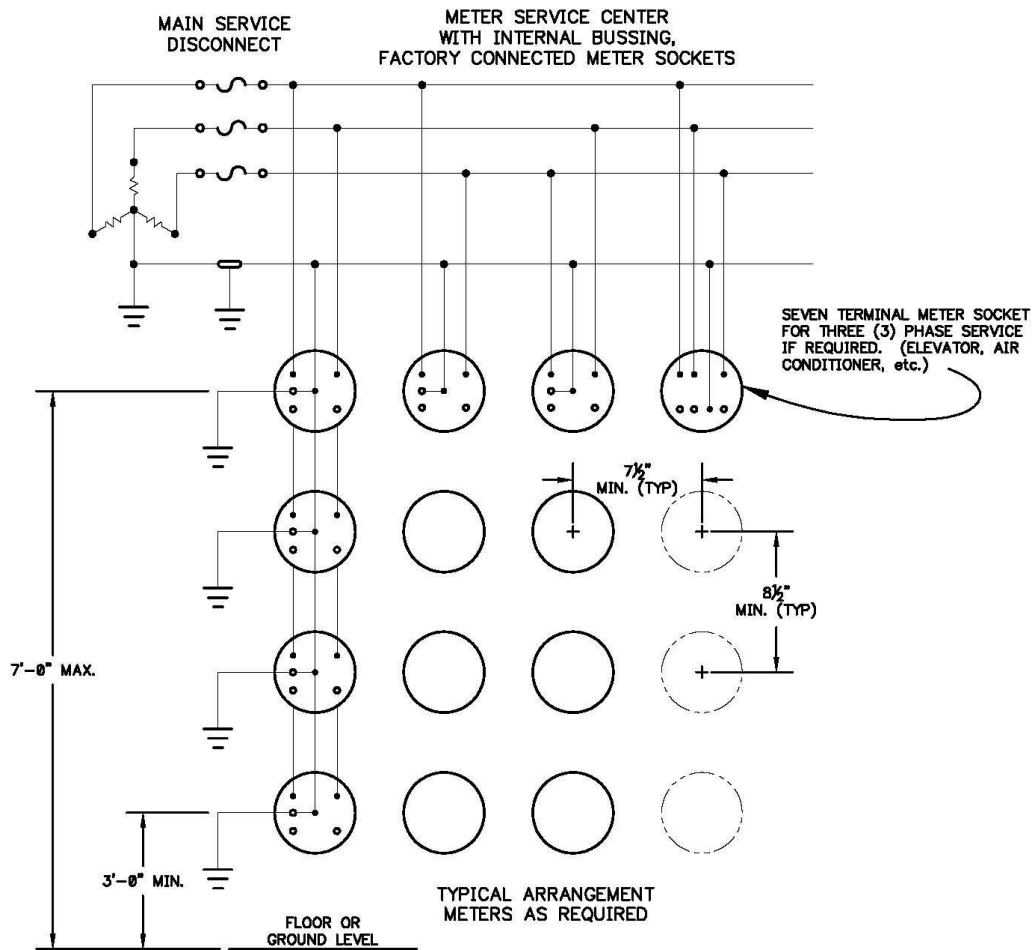


ELECTRICAL SERVICE HANDBOOK

K. Metering Clearance Requirements

<u>FOR</u>	<u>CLEARANCE</u>
Socket Height	5 feet minimum to 6 feet maximum above finished grade or floor (WAC 296-46-180) In metering rooms 3 feet minimum and 7 feet maximum
Current Transformer Enclosures	Bottom of device shall be no less than 12" above finished grade, floor or working platform. Top of enclosure no more than 8' from finished grade, floor or working platform
Working Space	<ul style="list-style-type: none">• Minimum of 3 feet wide and 3 feet deep measured from the front of the current transformer enclosure or meter face.• Plants, shrubs and trees shall not be planted in this area.• All meter socket enclosures shall be accessible and unobstructed to allow the removal of cover, retaining ring, and meter.• Minimum distance between socket centers is 16" VERTICAL and 10" HORIZONTAL.
Meter Pedestals (RV Manufactured Home)	Minimum 44" and maximum 7 feet.

L. Multiple Meter Installations



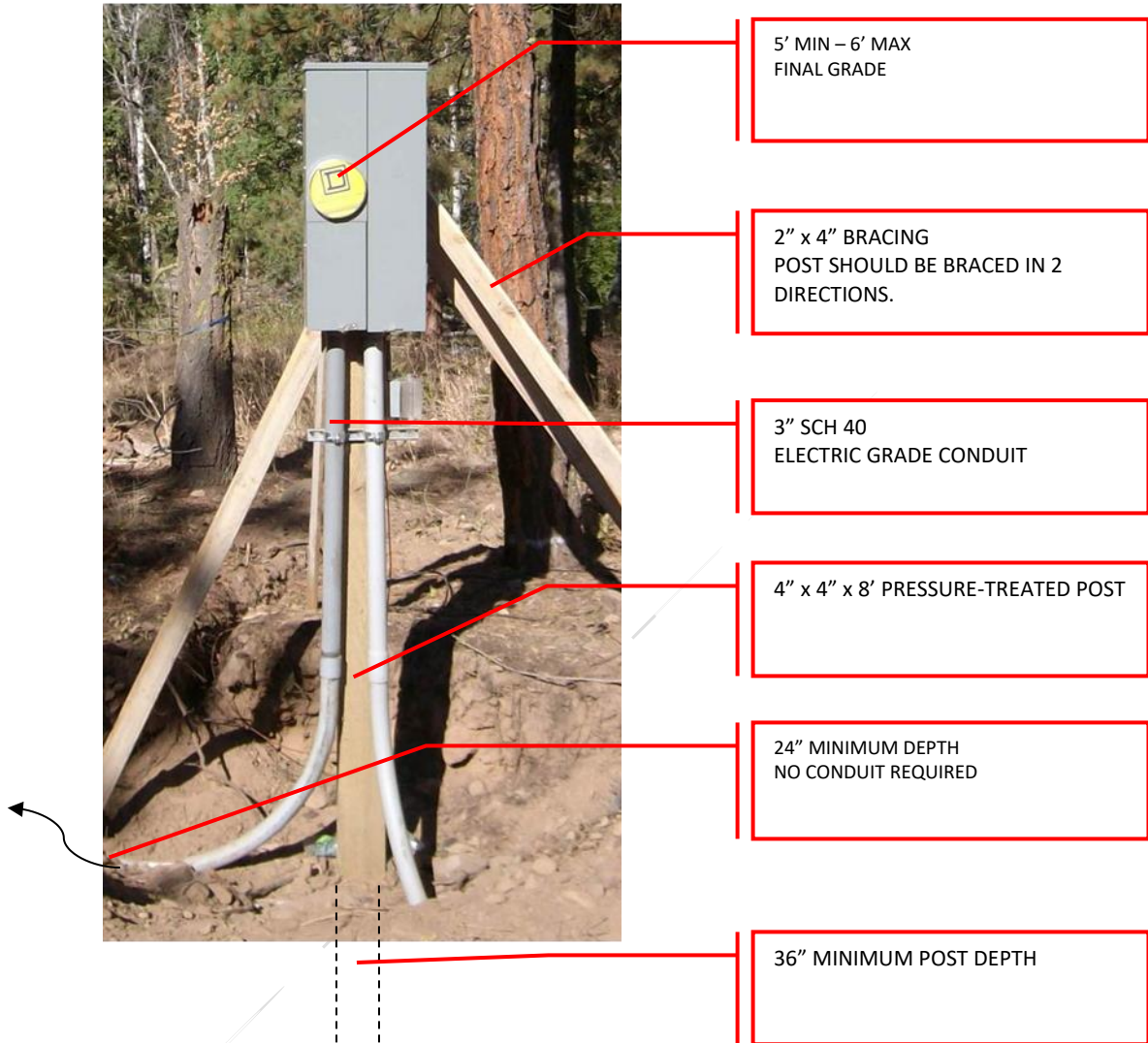
NOTES:

- 1) All metering installations shall be bonded and grounded per current NEC requirements.
- 2) Working space of 36" in all directions shall be maintained around meter base. This space is to be kept clear of all obstructions including landscaping.
- 3) On residential multi-meter panels, the minimum spacing between socket centers shall be:
 - a) 7 1/2" horizontally
 - b) 8 1/2" vertically
 - c) Not less than 1" clearance on the top and sides of the meters
 - d) Not less than 2" clearance on the bottom
- 4) The center shall be a minimum of 3' and a maximum of 6' above the finished grade.
- 5) All meters shall be identified as per the requirements in the [Meter Socket Arrangement and Requirements](#) section.
- 6) Meter socket jumpers shall not be used to serve house meters.
- 7) 208/120-volt three-wire single phase meter socket to be 5 terminal with neutral located on left side facing meter.
- 8) All load to be balanced between phases (+/- 10% of nominal voltage).
- 9) Load center may be top or bottom connected; must be approved by OCEC before being installed.
- 10) Non-shunting type meter sockets shall be used.
- 11) All material shown is supplied and installed by member or member's representative.



ELECTRICAL SERVICE HANDBOOK

M. Typical Underground Temp Meter Post

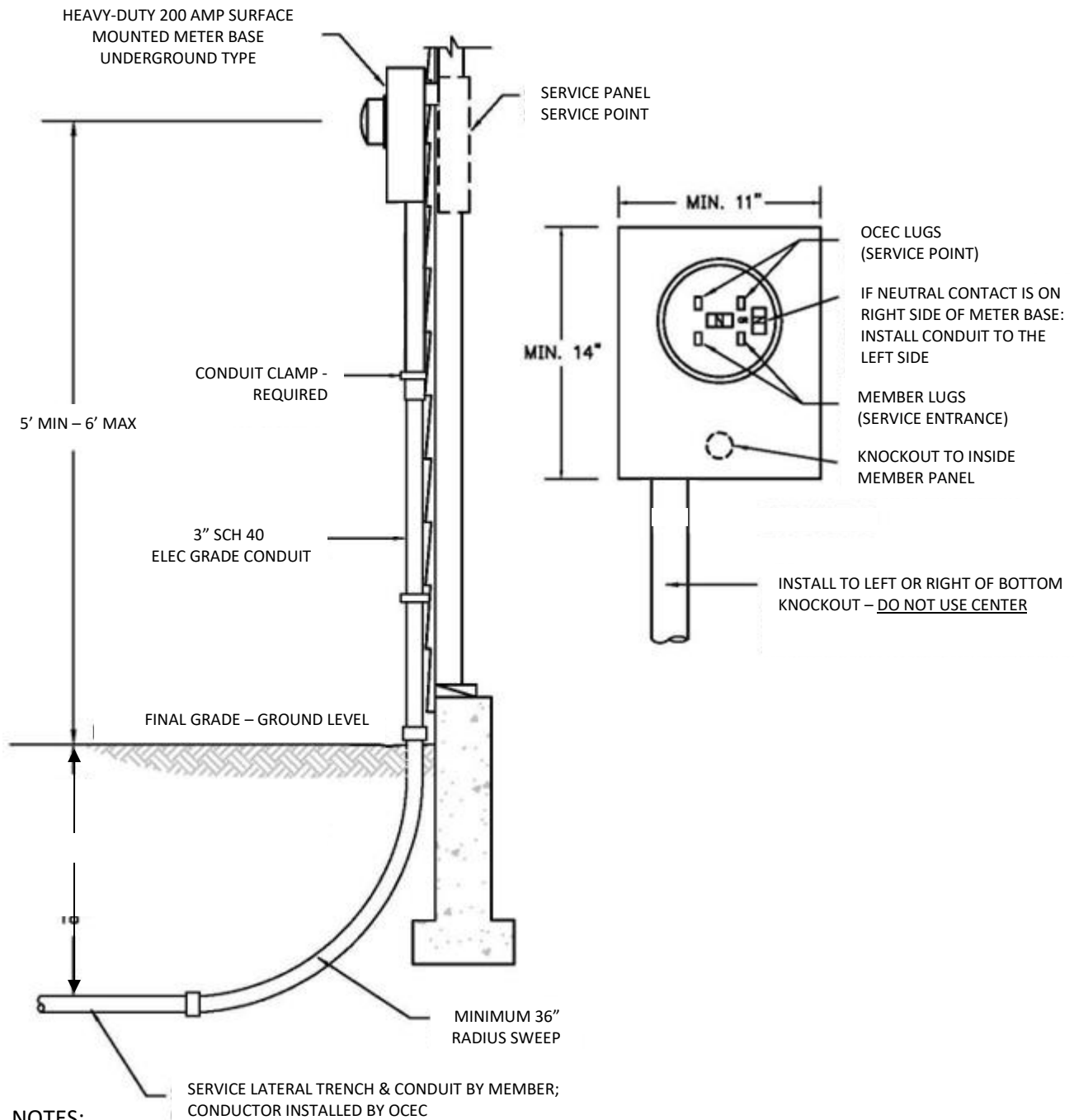


NOTES:

- 1) All metering installations shall be bonded and grounded per current NEC requirements.
- 2) Working space of 36" in all directions shall be maintained around meter base. This space is to be kept clear of all obstructions including landscaping.
- 3) All material shown is supplied and installed by member or member's representative unless otherwise noted.

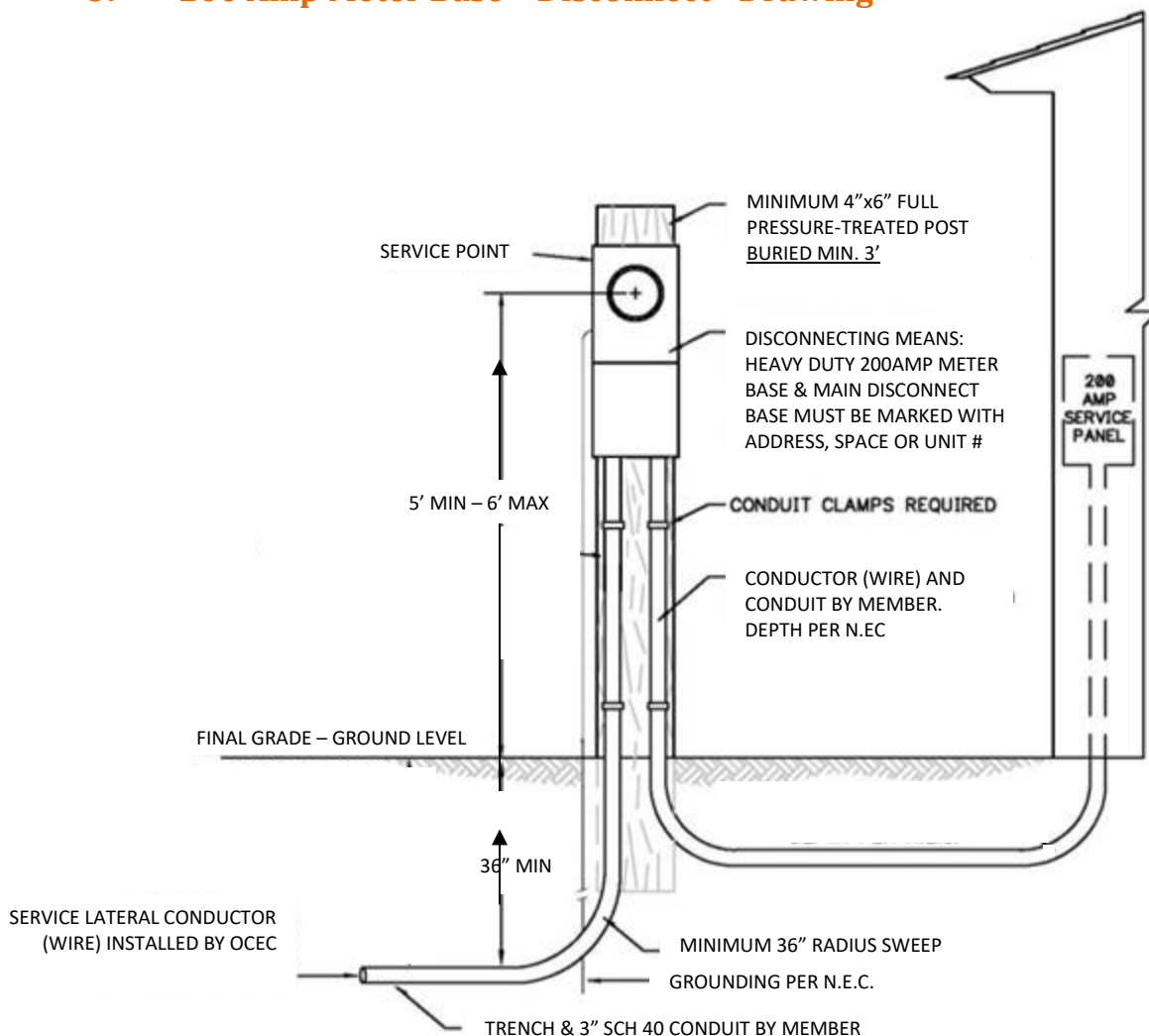
ELECTRICAL SERVICE HANDBOOK

N. 200 Amp Meter Base - No Disconnect - Drawing



- 1) All metering installations shall be bonded and grounded per current NEC requirements.
- 2) Working space of 36" in all directions shall be maintained around the meter base. This space is to be kept clear of all obstructions including landscaping.
- 3) All material to be supplied by the member or member's representative unless otherwise noted. Meter must accommodate 3" knockouts for utility secondary 3" conduit. No Swedges or Reducers.

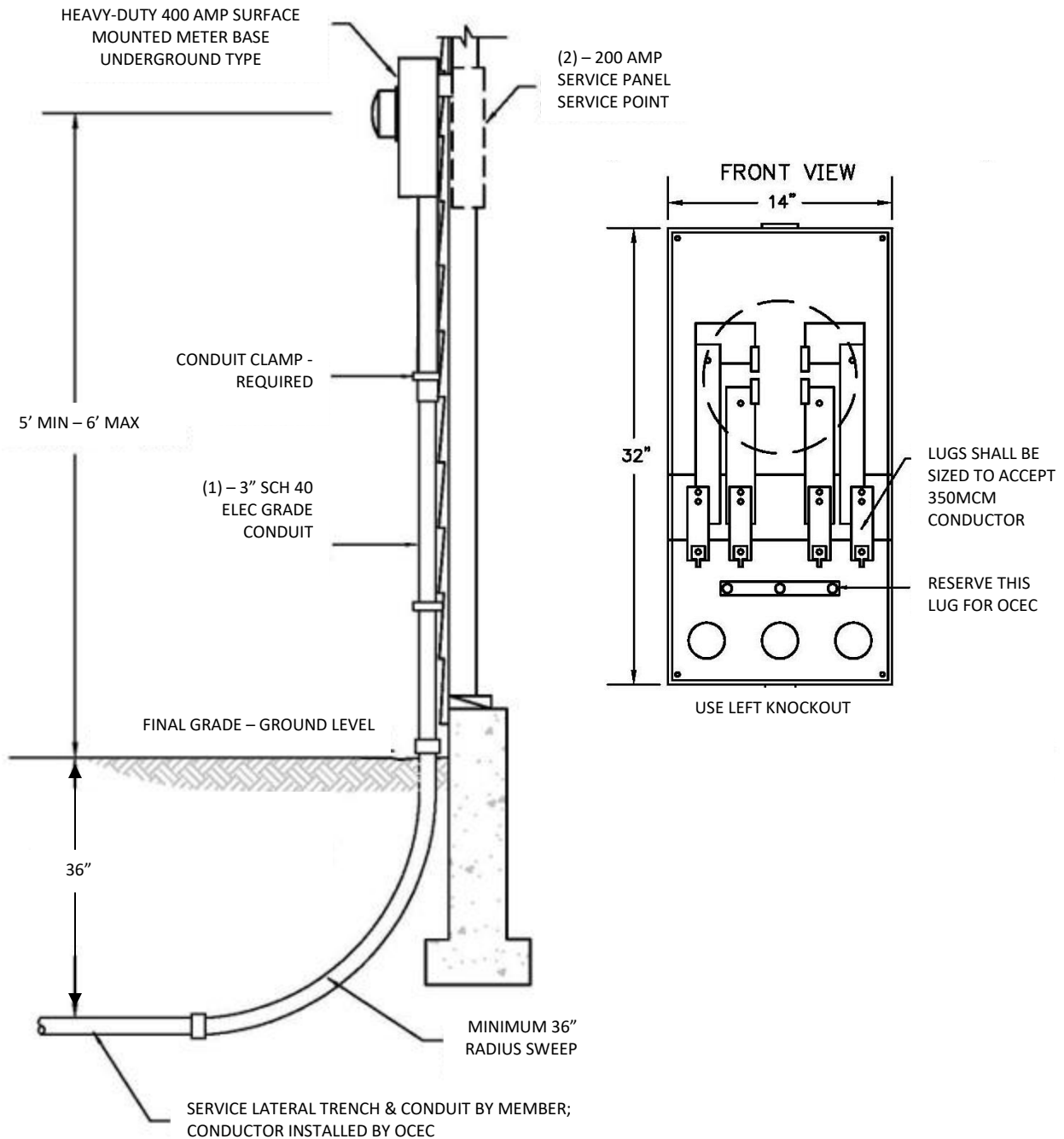
O. 200 Amp Meter Base - Disconnect - Drawing



NOTES:

- 4) All metering installations shall be bonded and grounded per current NEC requirements.
- 5) Working space of 36" in all directions shall be maintained around the meter base. This space is to be kept clear of all obstructions including landscaping.
- 6) All material to be supplied by the member or member's representative unless otherwise noted.
- 7) Meter must accommodate 3" knockouts for utility secondary 3" conduit. No Swedges or Reducers.

P. 400 Amp Meter Base - No Disconnect - Drawing

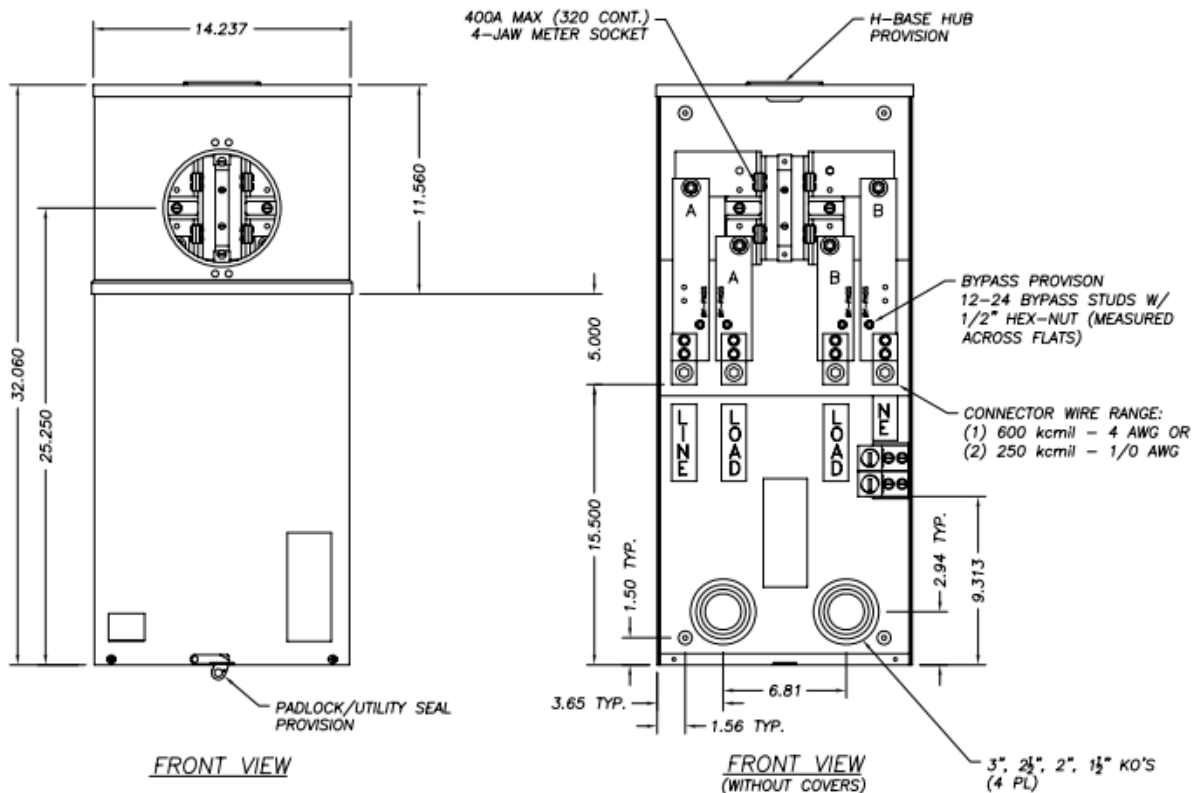


NOTES:

- 1) All metering installations shall be bonded and grounded per current NEC requirements.
- 2) Working space of 36" in all directions shall be maintained around the meter base. This space is to be kept clear of all obstructions including landscaping.
- 3) All material to be supplied by the member or member's representative unless otherwise noted.

ELECTRICAL SERVICE HANDBOOK

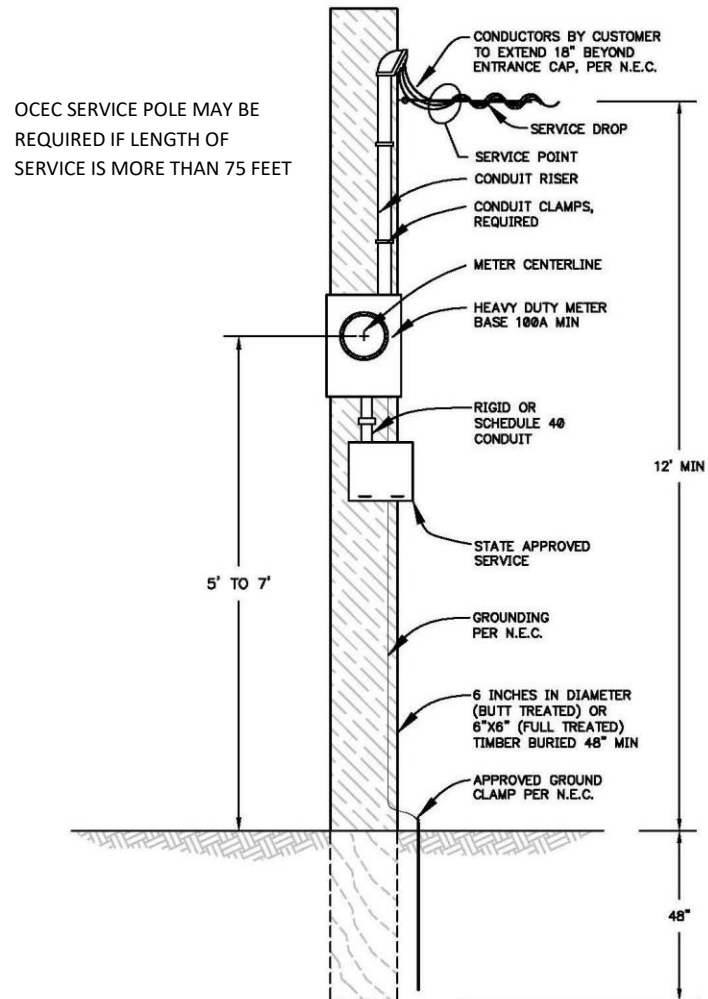
Q. 400 Amp Meter Base - Disconnect - Drawing





ELECTRICAL SERVICE HANDBOOK

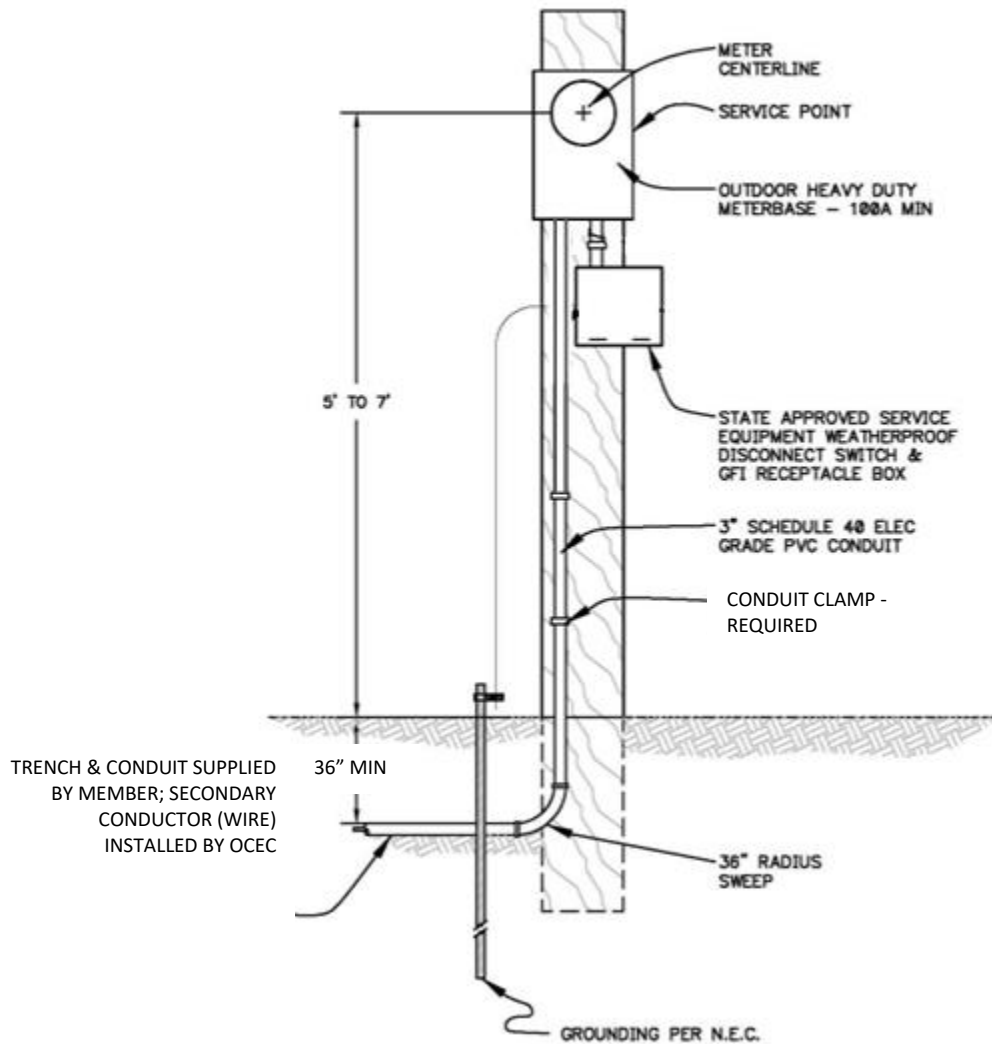
R. Overhead Recreational Vehicle Service



NOTES:

- 1) All metering installations shall be bonded and grounded per current NEC requirements.
- 2) Working space of 36" in all directions shall be maintained around the meter base. This space is to be kept clear of all obstructions including landscaping.
- 3) All material to be supplied by the member or member's representative unless otherwise noted.

S. Underground Recreational Vehicle Service



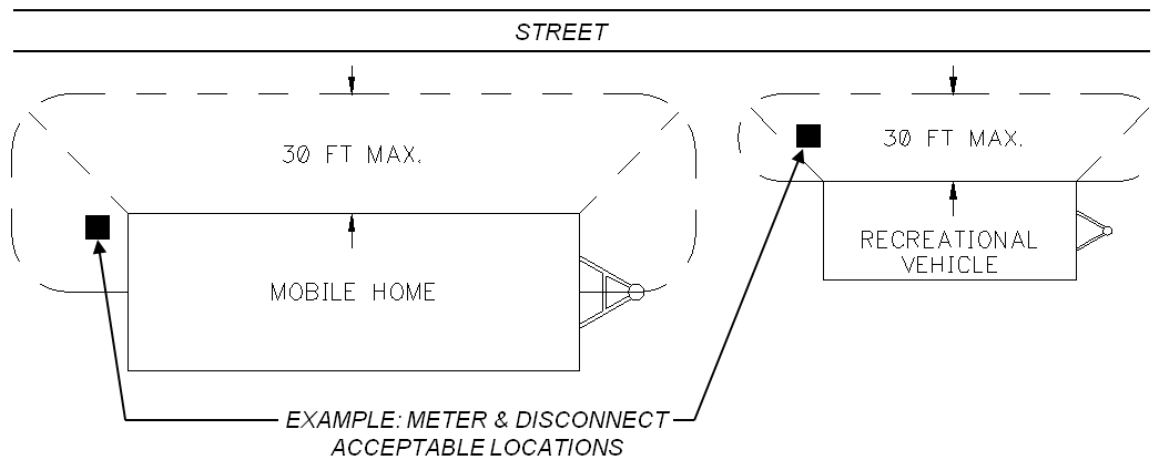
NOTES:

- 4) All metering installations shall be bonded and grounded per current NEC requirements.
- 5) Working space of 36" in all directions shall be maintained around the meter base. This space is to be kept clear of all obstructions including landscaping.
- 6) All material to be supplied by the member or member's representative unless otherwise noted.

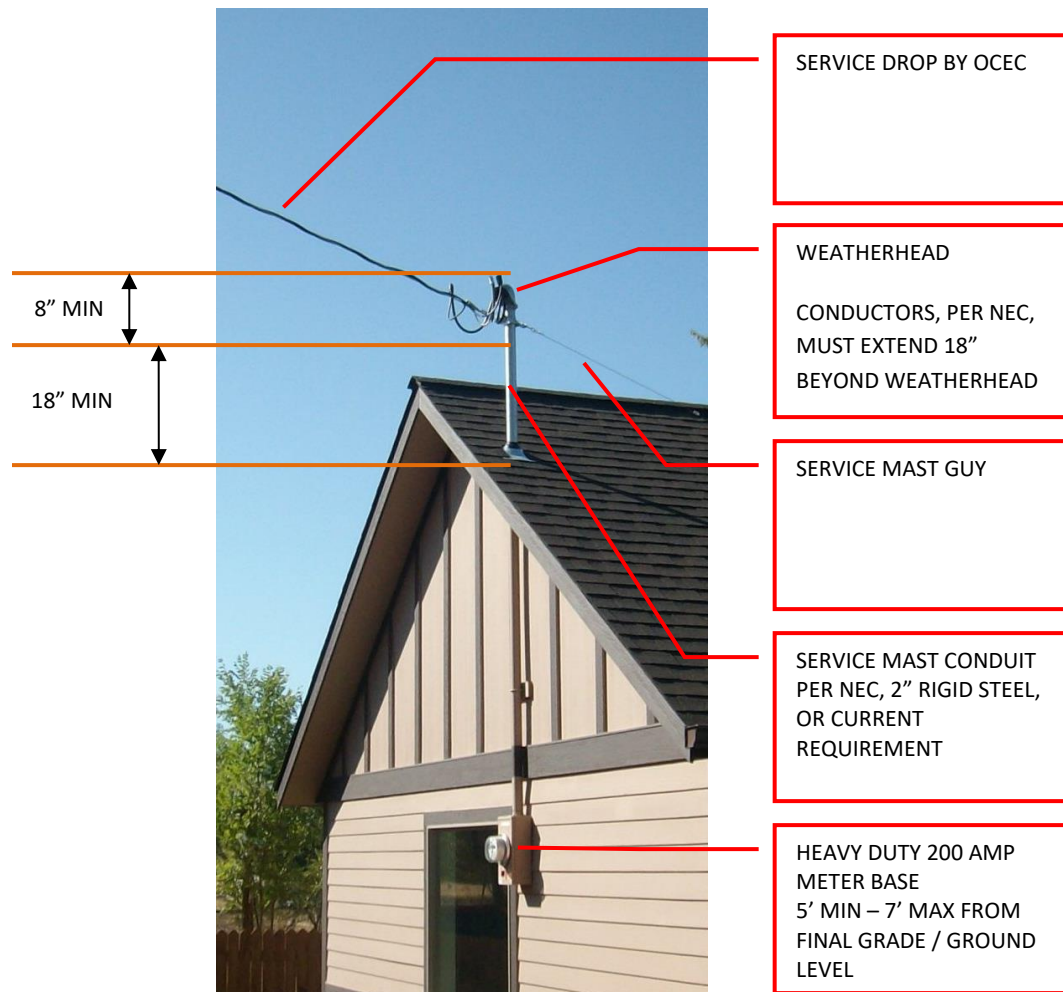


ELECTRICAL SERVICE HANDBOOK

T. Acceptable disconnect locations



U. Overhead Residential Installation



SERVICE DROP BY OCEC

WEATHERHEAD
CONDUCTORS, PER NEC,
MUST EXTEND 18"
BEYOND WEATHERHEAD

SERVICE MAST GUY

SERVICE MAST CONDUIT
PER NEC, 2" RIGID STEEL,
OR CURRENT
REQUIREMENT

HEAVY DUTY 200 AMP
METER BASE
5' MIN – 7' MAX FROM
FINAL GRADE / GROUND
LEVEL

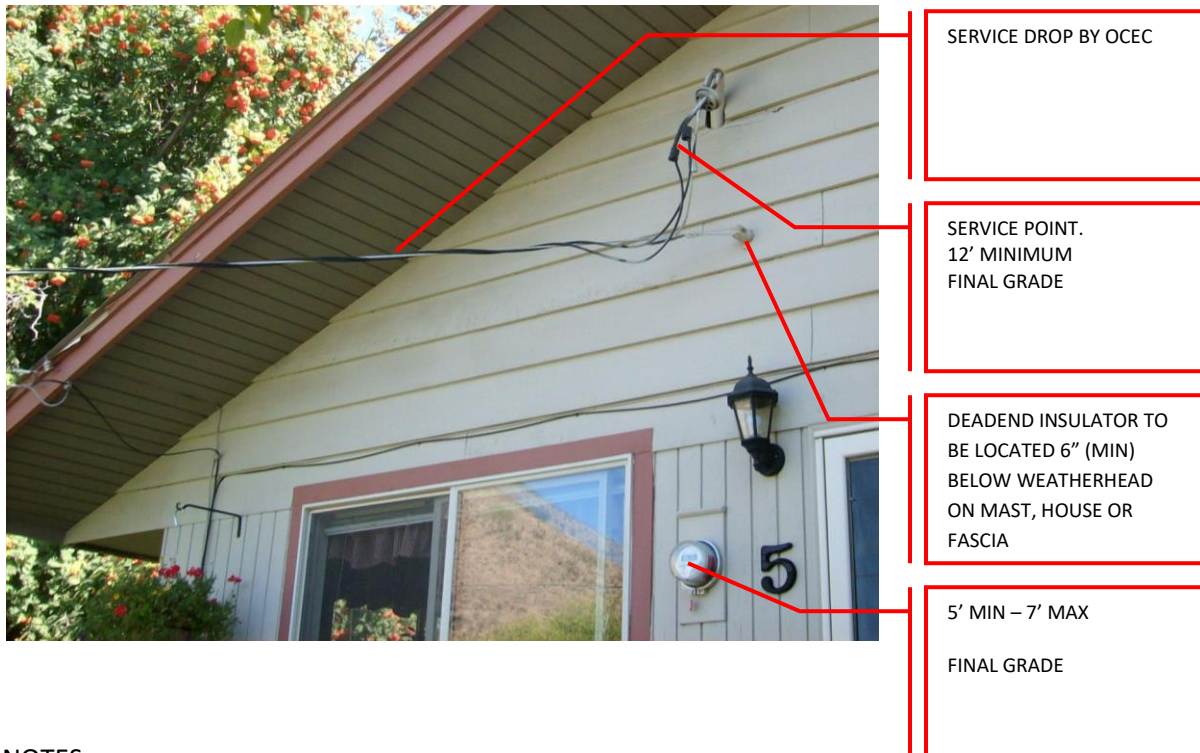
NOTES:

- 1) All metering installations shall be bonded and grounded per current NEC requirements.
- 2) Working space of 36" in all directions shall be maintained around meter base. This space is to be kept clear of all obstructions including landscaping and enclosures.
- 3) Per NESC minimum requirements if service mast is located:
 - a. within 4' of roof edge, service wire must maintain a minimum clearance of 18" from the roof top within a 6' radius.
 - i. Beyond a 6' radius, service wire must maintain a minimum clearance of 3' from the roof top.
 - b. more than 4' from the roof edge, service wire must maintain minimum clearance of 3' from the roof top.
- 4) Service mast must be tall enough to provide required clearances from ground to service conductors everywhere in the span.
- 5) All material shown is supplied and installed by the member or member's representative unless otherwise noted.



ELECTRICAL SERVICE HANDBOOK

V. Gable End Mount – Under Eave



NOTES:

- 1) All metering installations shall be bonded and grounded per current NEC requirements.
- 2) Working space of 36" in all directions shall be maintained around meter base. This space is to be kept clear of all obstructions including landscaping.
- 3) All material shown is supplied and installed by member or member's representative unless otherwise noted.



ELECTRICAL SERVICE HANDBOOK

XI. Fiber

OCEC is developing a Broadband Fiber Network under a division of the company called **Methow Fiber** that will begin construction late 2024. Methow Fiber distribution infrastructure will be installed, owned and operated by OCEC. For new customers that are constructing underground electric services prior to this Methow Fiber Project start date, they may want to consider installing conduit for fiber while they have an open ditch. Customers may be responsible for all material and excavation costs related to the fiber conduit installation. Fiber infrastructure will need to meet specifications for future possible installation, but customers are not under obligation to install fiber. OCEC will have a Fiber Technician on site during site visits with the Electric Staking Technician for proper placement and installation instructions and questions.

A. Underground Service Fiber Equipment

- 1) **ORANGE** in color, PVC or High Density Polyethylene (HDPE), minimum 1 ½" UL listed Schedule 40 or 80 Electrical Conduit (Customer Provided)
- 2) 90 degree, 24" radius minimum Sweeps, **ORANGE** in color, PVC or High Density Polyethylene (HDPE), minimum 1 ½" UL listed Schedule 40 or 80 Electrical Conduit will be used at Service Locations and at Distribution Points. (Customer Provided)
- 3) Minimum 16" x 16" x 22" outdoor fiber vault with lid (or equivalent) will be placed flush with ground level at the distribution point located by Fiber Technician. Bedding sand required around the box during backfill. (Customer Provided)
- 4) Tracer wire (18 AWG Copper) must be placed maximum 6" above the conduit, or Underground Detectable Caution Tape labelled **FIBER** must be installed minimum 12" above the conduit. (Customer Provided)
- 5) Conduit will be buried minimum 24" below grade with minimum 12" of either vertical or horizontal separation from any other conduits.
- 6) OCEC Engineer must inspect conduit installation prior to backfilling, usually in conjunction with the electrical conduit/ditch inspection at no cost. Minimum of 24 hours notice is requested.

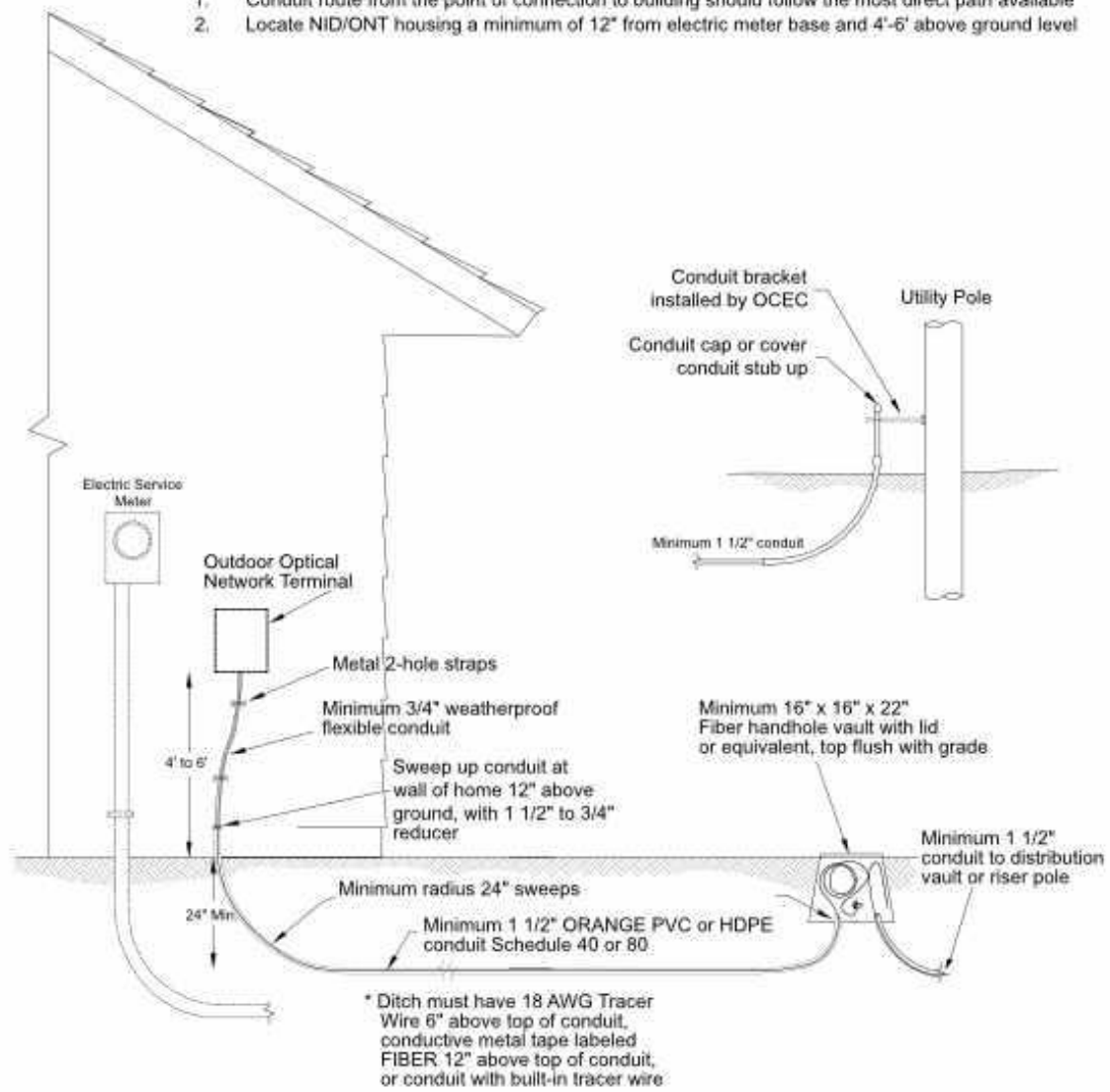
B. Overhead Service Fiber Equipment

- 1) Contact OCEC Methow Fiber for questions about overhead Fiber installations.

ELECTRICAL SERVICE HANDBOOK

GENERAL REQUIREMENTS FOR UNDERGROUND FIBER INSTALLATION

1. Conduit route from the point of connection to building should follow the most direct path available
2. Locate NID/ONT housing a minimum of 12" from electric meter base and 4'-6" above ground level





CALL 811 BEFORE YOU DIG!

or visit

DigSafeWA.com

to request a locate at your project site.

The request must be made TWO (2) full working days before you dig. **There is NO CHARGE to you!** It is required by law, and you could be held liable for any damages you cause to utility services if you do not request a locate.

The Facility Operators (Power Company, Phone Company, City Water & Sewer, etc.) will mark where power, water, gas lines, and other utilities are located on your property, using the following color codes:

COLOR	DESCRIPTION
WHITE	Proposed Excavation (your responsibility)
RED	Electric Power Lines
YELLOW	Gas, Oil, Steam, Petroleum
ORANGE	Communications, Alarm or Signal Lines
BLUE	Potable Water
GREEN	Sewers and drain lines
PURPLE	Reclaimed Water, Irrigation and slurry lines
PINK	Temporary Survey Markings